

**MATERIAL & FINISH:**

**NRP CONNECTOR:**

- 1 BODY: BERYLLIUM COPPER ALLOY, GOLD PLATED
- 2 CENTER CONTACT: BERYLLIUM COPPER ALLOY, GOLD PLATED
- 3 INSULATOR: PTFE
- 4 SPRING: STAINLESS STEEL, PASSIVATED

**SMA CONNECTOR:**

- 1 BODY: STAINLESS STEEL, PASSIVATED
- 2 CENTER CONTACT: BRASS, GOLD PLATED
- 3 INSULATOR: PTFE
- 4 COUPLING NUT: STAINLESS STEEL, PASSIVATED
- 5 SOLDER FERRULE: BRASS, GOLD PLATED

**MB067 CABLE:**

- 1 INNER CONDUCTOR: SILVER PLATED COPPER CLAD STEEL
- 2 DIELECTRIC: PTFE
- 3 OUTER CONDUCTOR: SILVER PLATED COPPER TAPE
- 4 OUTER CONDUCTOR: ALUMINUM THIN
- 5 OUTER SHIELDS: OUTER BRAID STN. STL
- 6 JACKET: BLUE PFA

**ELECTRICAL DATA:**

- 1 IMPEDANCE: 50 Ω
- 2 FREQUENCY RANGE: DC~18 GHz
- 3 VSWR: 1.35 MAX.
- 4 INSERTION LOSS: 2.55dB MAX.

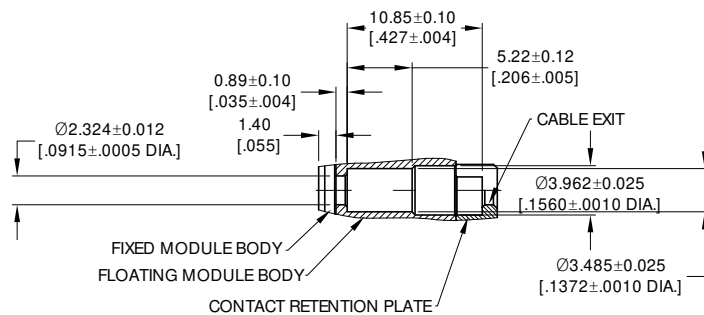
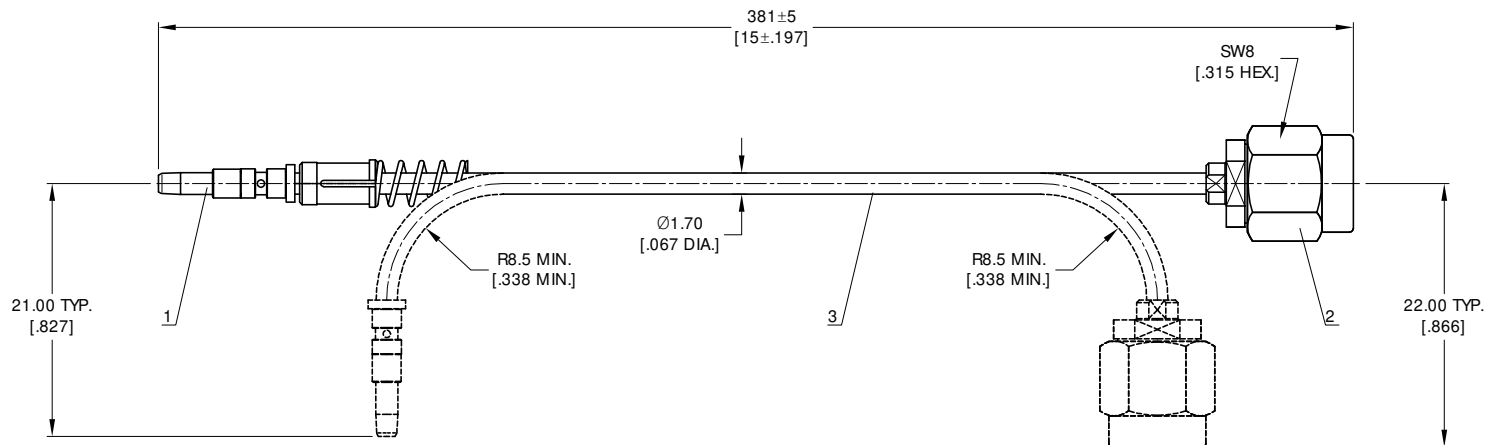
**ENVIRONMENTAL DATA:**

- 1 TEMPERATURE RANGE: -55 °C~+125 °C
- 2 2011/65/EU (RoHS) AND 2015/863/(RoHS): COMPLIANT
- 3 1999/45/EC (REACH): COMPLIANT

**MECHANICAL:**

- MIN BEND RADIUS: 8.5MM[.335]
- MIN DYNAMIC RADIUS: 17MM[.669]

REVISIONS			
REV.	DESCRIPTION	DATE	APPROVED
A	INITIAL RELEASE	12/16/24	J Q



Recommended Mount Hole  
(VITA67.3 BackPlane)

SEQUENCE NUMBER	PART NO.	DESCRIPTION	QTY
3	MB067	MB067 CABLE	1
2	ANO 2111-2727	SMA STRAIGHT MALE SOLDER FOR MB067 CABLE	1
1	ANO 4112-2044	NanoRF PIN CONTACT (VITA 67.3 BACKPLANE) SOLDER FOR MB067 CABLE (EQUIVALENT TO TE P/N 2302345-1)	1

DRAWN	P. C	DATE	12/16/24
CHECKED	X. Y	DATE	12/16/24
APPROVED	J Q	DATE	12/16/24
UNLESS OTHERWISE SPECIFIED DIMENSIONS ARE IN MILLIMETERS, DIMENSIONS IN [ ] ARE IN INCHES FOR CUSTOMER REFERENCE ONLY UNLESS OTHERWISE SPECIFIED TOLERANCE ARE:		THESE DRAWINGS AND SPECIFICATIONS ARE THE PROPERTY OF ANOISON ELECTRONICS LTD AND SHOULD NOT BE USED WITHOUT WRITTEN PERMISSION COPYRIGHT © 2024 ANOISON ELECTRONICS LTD	
.XX	±0.13 [.005"]		
.X	±0.20 [.008"]		
X	±0.50 [.019"]		
.X"	±1"		
X"	±2"		

**TITLE**  
CABLE ASSEMBLY, NanoRF PIN CONTACT (VITA 67.3 BACKPLANE) TO SMA STRAIGHT MALE, MB067 CABLE, 15 INCHES

**VIEW**

**PART NO.**  
mBend067-NRP-SMAM-15

SIZE	SCALE	SHEET	REV.
A3	2.5:1	1/1	A