

REVISIONS			
REV.	DESCRIPTION	DATE	APPROVED
A	INITIAL RELEASE	03/18/24	J. Q

**ELECTRICAL DATA:**

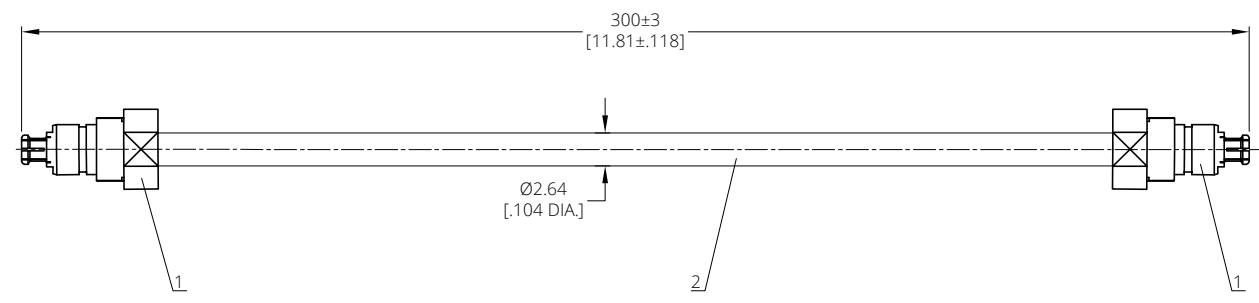
- 1 IMPEDANCE: 50 Ω
- 2 FREQUENCY RANGE: DC~50 GHz

**MECHANICAL:**

- MIN BEND RADIUS: 5.08MM[.020]
- MIN DYNAMIC RADIUS: 10.16MM[.040]

**ENVIRONMENTAL DATA:**

- 1 TEMPERATURE RANGE: -55°C~+125°C
- 2 2011/65/EU(RoHS) AND 2015/863/(RoHS): COMPLIANT
- 3 1999/45/EC(REACH): COMPLIANT



SEQUENCE NUMBER	PART NO.	DESCRIPTION	QTY
2	MB103	MB103 CABLE	1
1	ANO 9412-2084	SMPM STRAIGHT FEMALE SOLDER FOR MB103 CABLE	2

DRAWN	W. Y	DATE	03/18/24
CHECKED	X. Y	DATE	03/18/24
APPROVED	J. Q	DATE	03/18/24



UNLESS OTHERWISE SPECIFIED DIMENSIONS ARE IN MILLIMETERS, DIMENSIONS IN [ ] ARE IN INCHES FOR CUSTOMER REFERENCE ONLY UNLESS OTHERWISE SPECIFIED TOLERANCE ARE:

XX	±0.13 [0.005"]
X	±0.20 [0.008"]
X	±0.50 [0.019"]
X°	±1°
X°	±2°

THESE DRAWINGS AND SPECIFICATIONS ARE THE PROPERTY OF ANOISON ELECTRONICS LTD AND SHOULD NOT BE USED WITHOUT WRITTEN PERMISSION COPYRIGHT © 2024 ANOISON ELECTRONICS LTD

TITLE  
CABLE ASSEMBLY, SMPM STRAIGHT FEMALE SMPM STRAIGHT FEMALE, MB103 CABLE

VIEW	PART NO.	SIZE	SCALE	SHEET	REV.
	mBend-SMPM(F)-SMPM(F)-300MM	A3	2.5:1	1/1	A