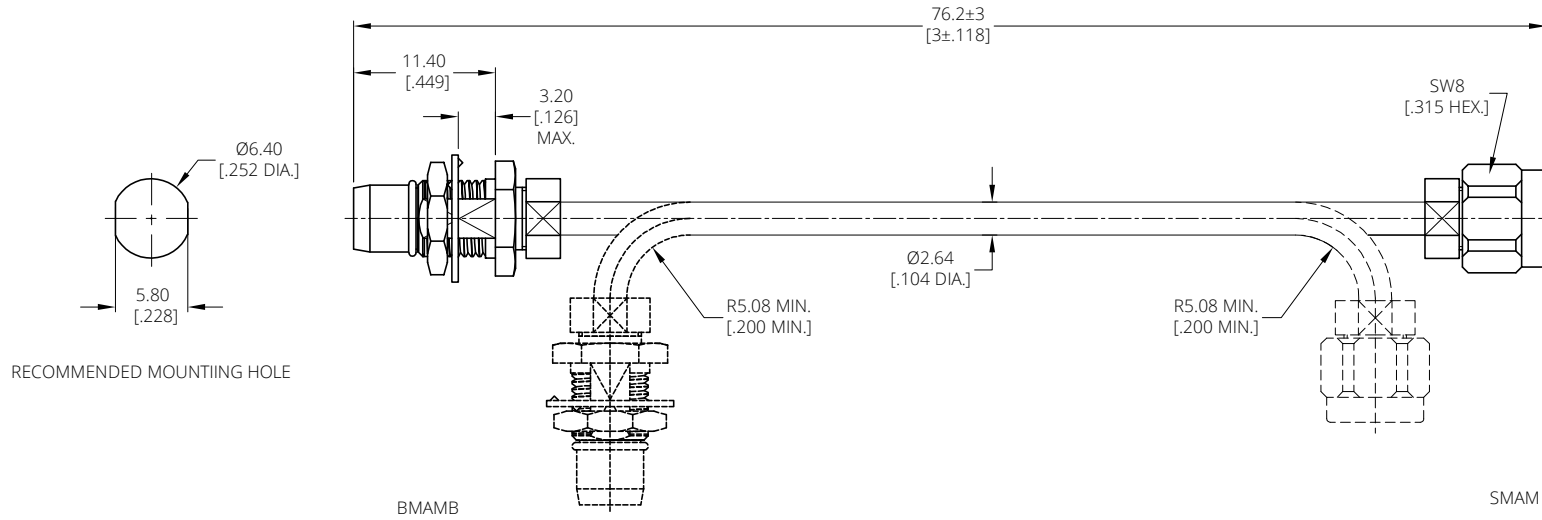


ELECTRICAL DATA:

- 1 IMPEDANCE: 50 Ω
- 2 FREQUENCY RANGE: DC-18 GHz
- 3 VSWR: 1.35 MAX.
- 4 INSERTION LOSS: 0.60 DB MAX.

MECHANICAL:

- MIN BEND RADIUS: 5.08MM[.020]
- MIN DYNAMIC RADIUS| 10.16MM[.040]



TITLE
 CABLE ASSEMBLY, BMA STRAIGHT BULKHEAD MALE TO
 SMA STRAIGHT MALE, MB103 CABLE

NOTES:
 1. UNLESS OTHERWISE SPECIFIED ALL DIMENSIONS ARE NOMINAL.
 2. ALL SPECIFICATIONS ARE SUBJECT TO CHANGED WITHOUT NOTICE AT ANY TIME.
 3. DIMENSIONS ARE IN MILLIMETERS, DIMENSIONS IN [] ARE IN INCHES
 4. LENGTH TOLERANCE IS ±1.5%.

VIEW	PART NO. mBend-BMA(M)B-SMAM-3			
	SIZE A3	SCALE 2.5:1	SHEET 1/1	REV. A