

REVISIONS			
REV.	DESCRIPTION	DATE	APPROVED
A	INITIAL RELEASE	07/23/13	J. QU
B	ADDED PART NUMBER	04/21/22	J. QU

**MATERIAL & FINISH**

1. BODY: SEE TABLE
2. CENTER CONTACT: BERYLLIUM COPPER ALLOY, GOLD PLATED
3. INSULATOR: PTFE
4. FASTENING NUT: SEE TABLE

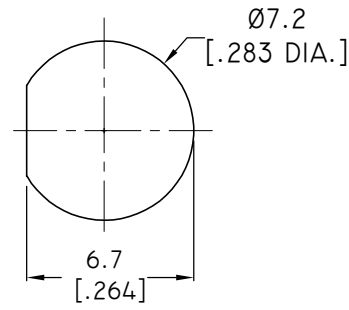
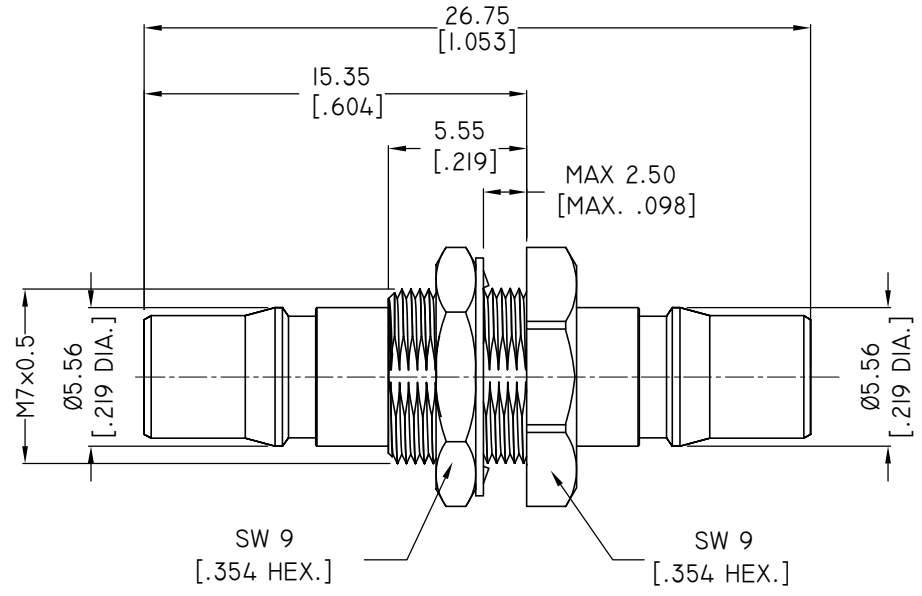
**ENVIRONMENTAL DATA:**

1. TEMPERATURE RANGE: -55°C~+125°C
2. 2011/65/EU (RoHS): COMPLIANT

**ELECTRICAL SPECIFICATIONS:**

1. IMPEDANCE: 50 Ω
2. FREQUENCY RANGE: DC~18GHZ
3. RETRUN LOSS:
  - ≤1.10 AT DC TO 2.5GHZ
  - ≤1.15 AT 2.5 TO 6GHZ
  - ≤1.30 AT 6 TO 18GHZ

PART NUMBER	PART	MATERIAL	FINISH
ANO 262-262-1272	BODY & FASTENING MUT	BRASS	ALBALOY
ANO 262-262-1272-1			GOLD
ANO 262-262-1272-2		STAINLESS STEEL 303	PASSIVATED



RECOMMENDED MOUNTING HOLE

DRAWN	W. YANG	DATE	04/21/22
CHECKED	L. YANG	DATE	04/21/22
APPROVED	J. QU	DATE	04/21/22
UNLESS OTHERWISE SPECIFIED DIMENSIONS ARE IN MILLIMETERS, DIMENSIONS IN [ ] ARE IN INCHES FOR CUSTOMER REFERENCE ONLY UNLESS OTHERWISE SPECIFIED TOLERANCE ARE:		THESE DRAWINGS AND SPECIFICATIONS ARE THE PROPERTY OF ANOISON ELECTRONICS LTD AND SHOULD NOT BE USED WITHOUT WRITTEN PERMISSION COPYRIGHT © 2022 ANOISON ELECTRONICS LTD	
.XX	±0.13 [.005"]		
.X	±0.20 [.008"]		
X°	±0.50 [.019"]		
X°	±1°		
X°	±2°		

**ANOISON**

TITLE: ADAPTER QMA BULKHEAD FEMALE TO QMA FEMALE

VIEW:

PART NO.: ANO 262-262-1272

SIZE	SCALE	SHEET	REV.
A3	5:1	1/1	B