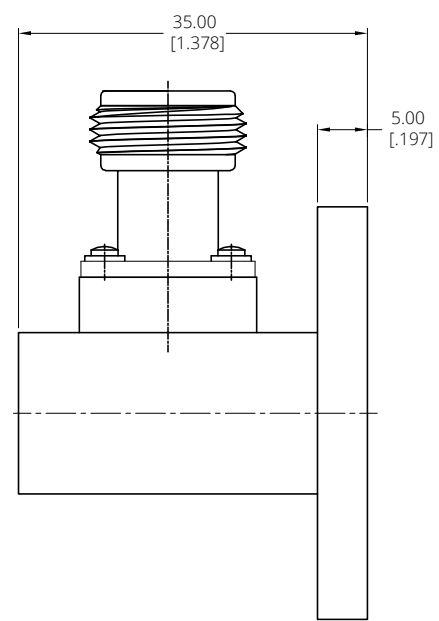
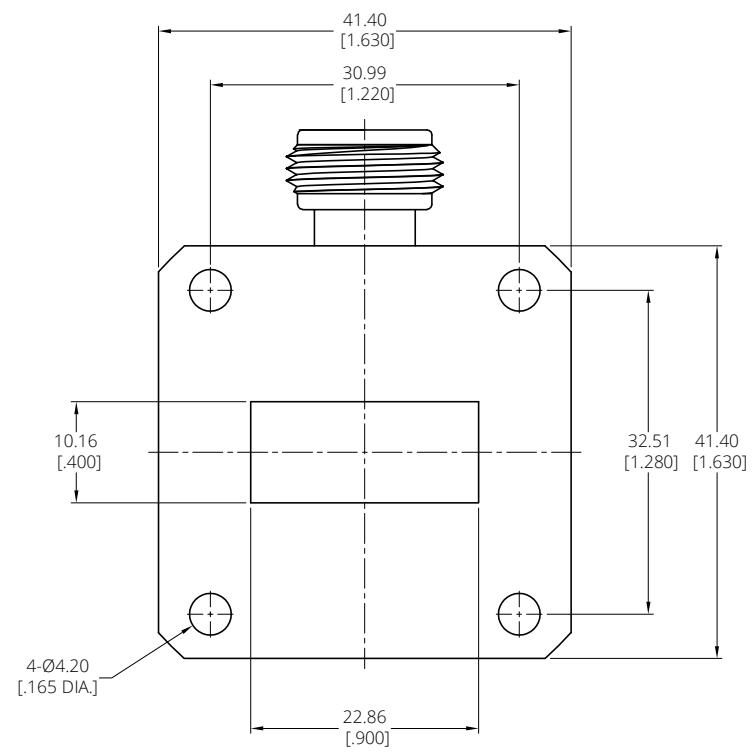


REVISIONS			
REV.	DESCRIPTION	DATE	APPROVED
A	INITIAL RELEASE	08/29/24	J. Q

MATERIAL & FINISH:
N CONNECTOR:
 1 BODY: BRASS, SILVER PLATED

WR90:
 1 CAVITY: ALUMINIUM ALLOY

ELECTRICAL DATA:
 1 IMPEDANCE: 50 Ω
 2 FREQUENCY RANGE: 8.2~12.5 GHz
 3 VSWR: 1.25 MAX.
 4 INSERTION LOSS: 0.3 dB MAX.



DRAWN	W. Y	DATE	08/29/24
CHECKED	X. Y	DATE	08/29/24
APPROVED	J. Q	DATE	08/29/24
UNLESS OTHERWISE SPECIFIED DIMENSIONS ARE IN MILLIMETERS, DIMENSIONS IN [] ARE IN INCHES FOR CUSTOMER REFERENCE ONLY UNLESS OTHERWISE SPECIFIED TOLERANCE ARE:		THESE DRAWINGS AND SPECIFICATIONS ARE THE PROPERTY OF ANOISON ELECTRONICS LTD AND SHOULD NOT BE USED WITHOUT WRITTEN PERMISSION COPYRIGHT © 2024 ANOISON ELECTRONICS LTD	
XX	±0.13 [005"]		
X	±0.25 [010"]		
X	±0.50 [019"]		
X°	±1°		
X°	±2°		

ANOISON

TITLE
WR90 WAVEGUIDE TO COAXIAL N RIGHT ANGLE ADAPTERS

VIEW

PART NO.
ANO WR90-N-01

SIZE A3	SCALE 5:1	SHEET 1/1	REV. A
------------	--------------	--------------	-----------