

4

3

2

1

**MATERIAL & FINISH:**

**2.92 MM CONNECTOR:**

- 1 BODY: BRASS, GOLD PLATED
- 2 CENTER CONTACT: BERYLLIUM COPPER, GOLD PLATED
- 3 INSULATOR: PEI

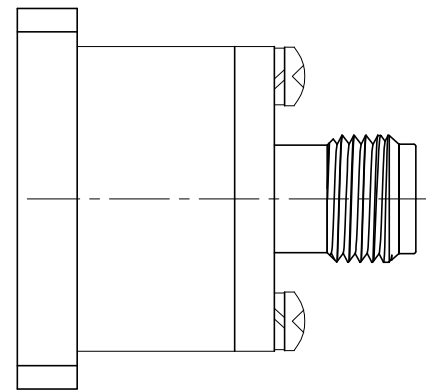
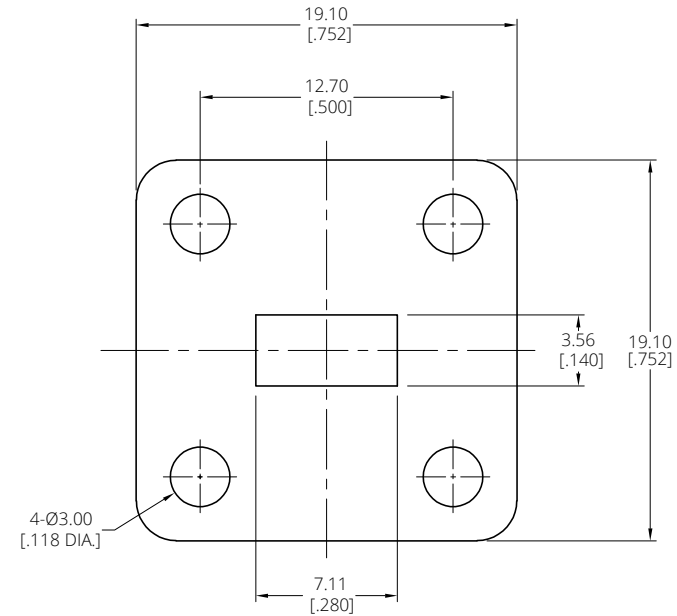
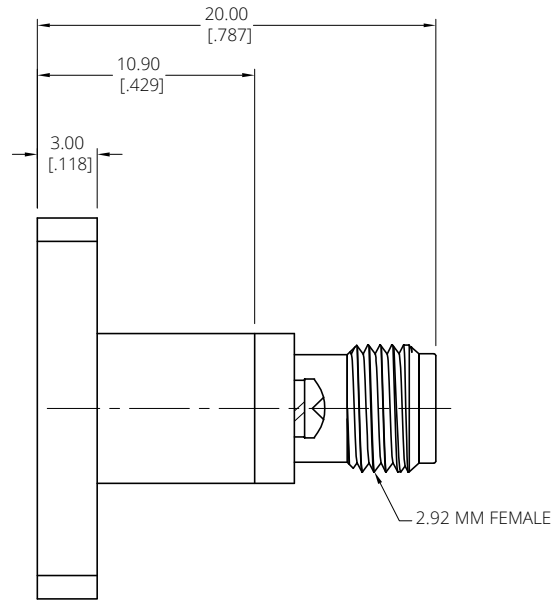
**ELECTRICAL DATA:**

- 1 IMPEDANCE: 50 Ω
- 2 FREQUENCY RANGE: 26.5 GH-40 GHz
- 3 VSWR: 1.25 MAX.

**W28:**

- 1 CAVITY: BRASS, GOLD PLATED

REVISIONS			
REV.	DESCRIPTION	DATE	APPROVED
A	INITIAL RELEASE	05/15/24	J. Q



DRAWN	W. Y	DATE	05/15/24
CHECKED	X. Y	DATE	05/15/24
APPROVED	J. Q	DATE	05/15/24
UNLESS OTHERWISE SPECIFIED DIMENSIONS ARE IN MILLIMETERS, DIMENSIONS IN [ ] ARE IN INCHES FOR CUSTOMER REFERENCE ONLY UNLESS OTHERWISE SPECIFIED TOLERANCE ARE:		THESE DRAWINGS AND SPECIFICATIONS ARE THE PROPERTY OF ANOISON ELECTRONICS LTD AND SHOULD NOT BE USED WITHOUT WRITTEN PERMISSION COPYRIGHT © 2024 ANOISON ELECTRONICS LTD	
XX	±0.13 [005"]		
X	±0.20 [008"]		
X*	±0.50 [019"]		
X°	±1°		
X°	±2°		



TITLE			
WR28 WAVE GUIDE TO COAXIAL 2.92MM STRAIGHT ADAPTERS			
VIEW	PART NO.		
	ANO WR28-292-03		
SIZE	SCALE	SHEET	REV.
A3	4:1	1/1	A

4

3

2

1