

MATERIAL & FINISH:

N CONNECTOR:

- 1 BODY: COPPER, NICKEL PLATED
- 2 CENTER CONTACT: PHOSPHOR BRONZE, GOLD PLATED

WR137:

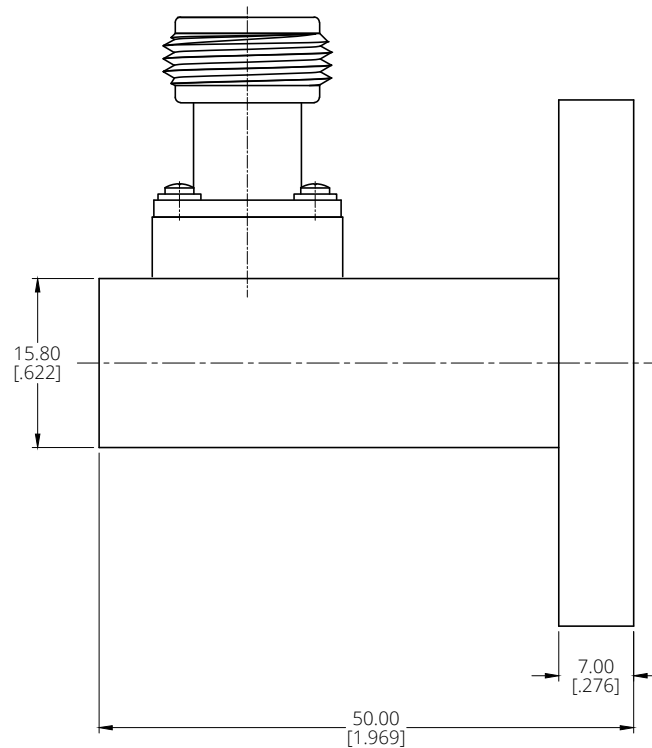
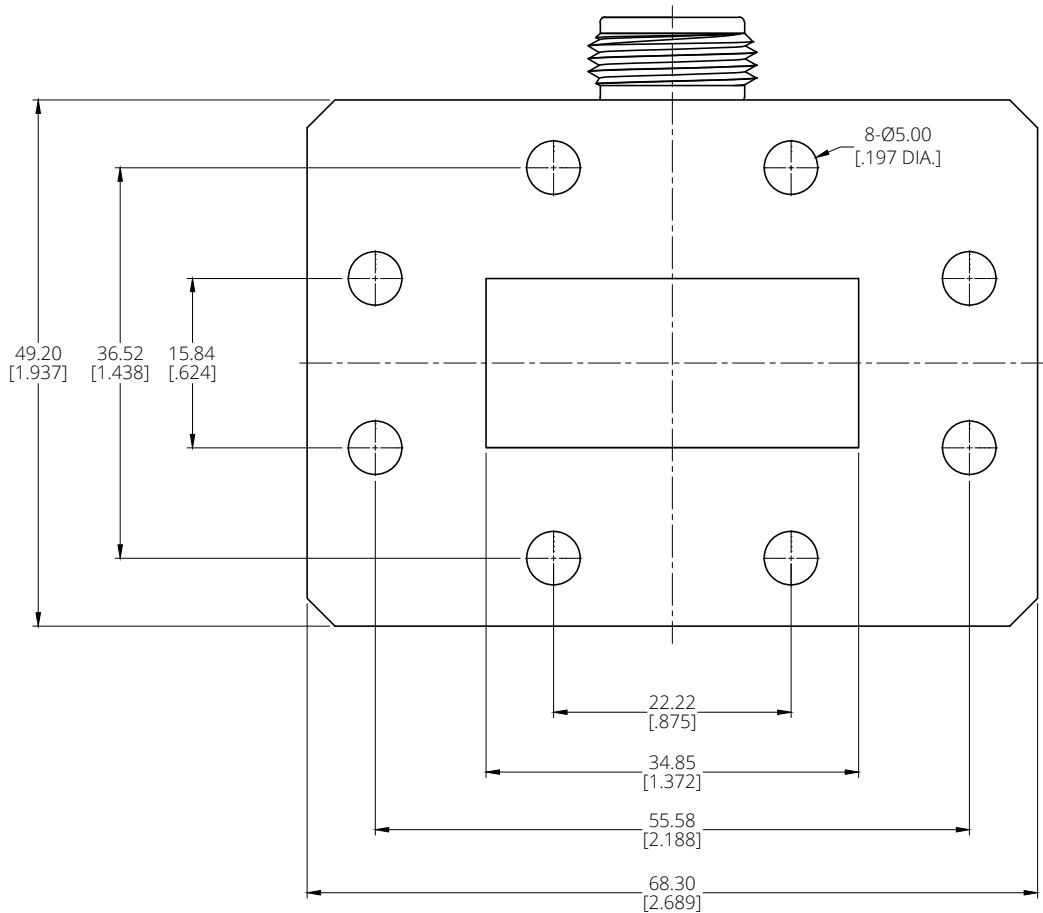
- 1 CAVITY: ALUMINIUM ALLOY, CONDUCTIVE ANODIZING

ELECTRICAL DATA:

- 1 IMPEDANCE: 50 Ω
- 2 FREQUENCY RANGE: 5.38-8.17 GHz
- 3 VSWR: 1.20 MAX.
- 4 INSERTION LOSS: 0.2 dB MAX.

REVISIONS

REV.	DESCRIPTION	DATE	APPROVED
A	INITIAL RELEASE	04/14/25	J. Q



DRAWN	Y. H	DATE	04/14/25
CHECKED	W. Y	DATE	04/14/25
APPROVED	J. Q	DATE	04/14/25
UNLESS OTHERWISE SPECIFIED DIMENSIONS ARE IN MILLIMETERS, DIMENSIONS IN [] ARE IN INCHES FOR CUSTOMER REFERENCE ONLY UNLESS OTHERWISE SPECIFIED TOLERANCE ARE:		THESE DRAWINGS AND SPECIFICATIONS ARE THE PROPERTY OF ANOISON ELECTRONICS LTD AND SHOULD NOT BE USED WITHOUT WRITTEN PERMISSION COPYRIGHT © 2025 ANOISON ELECTRONICS LTD	
.XX	±0.13 [0.005"]		
.X	±0.25 [0.010"]		
X	±0.50 [0.019"]		
X*	±1°		
X*	±2°		



TITLE			
WR137 WAVEGUIDE TO COAXIAL N RIGHT ANGLE ADAPTERS			
VIEW		PART NO.	
		ANO WR137-N-01	
SIZE	SCALE	SHEET	REV.
A3	1.5:1	1/1	A