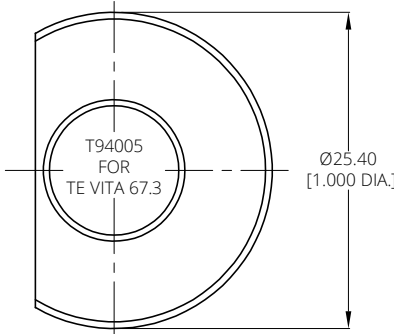
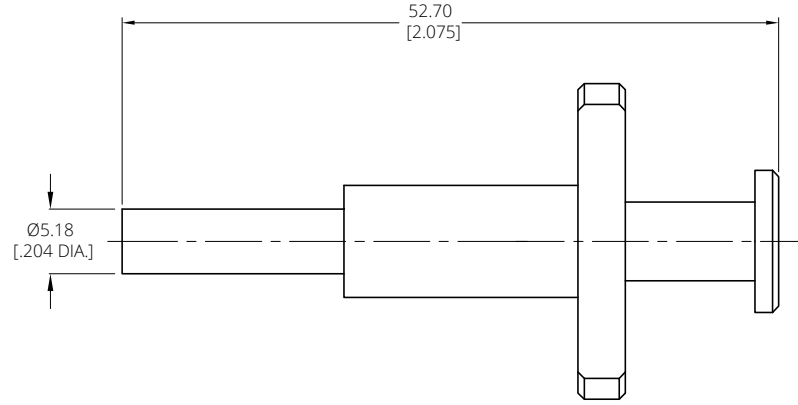



REVISIONS			
REV.	DESCRIPTION	DATE	APPROVED
A	INITIAL RELEASE	03/08/24	J. Q

MATERIAL & FINISH:
STAINLESS STEEL, PASSIVATED

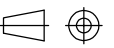
ENVIRONMENTAL DATA:
 1 TEMPERATURE RANGE: -40°C~+125°C
 2 2011/65/EU(RoHS) AND 2015/863/(RoHS): COMPLIANT
 3 1999/45/EC(REACH): COMPLIANT



DRAWN	W. Y	DATE	03/08/24
CHECKED	X. Y	DATE	03/08/24
APPROVED	J. Q	DATE	03/08/24
UNLESS OTHERWISE SPECIFIED DIMENSIONS ARE IN MILLIMETERS, DIMENSIONS IN [] ARE IN INCHES FOR CUSTOMER REFERENCE ONLY UNLESS OTHERWISE SPECIFIED TOLERANCE ARE:		THESE DRAWINGS AND SPECIFICATIONS ARE THE PROPERTY OF ANOISON ELECTRONICS LTD AND SHOULD NOT BE USED WITHOUT WRITTEN PERMISSION COPYRIGHT © 2024 ANOISON ELECTRONICS LTD	
XX	±0.13 [0.005"]		
X	±0.20 [0.008"]		
X*	±0.50 [0.019"]		
X°	±1°		
X°	±2°		



TITLE
TE VITA 67.3 BACKPLANE CONTACT REMOVAL TOOL

VIEW 

PART NO. T94005			
SIZE A3	SCALE 2.5:1	SHEET 1/1	REV. A

