

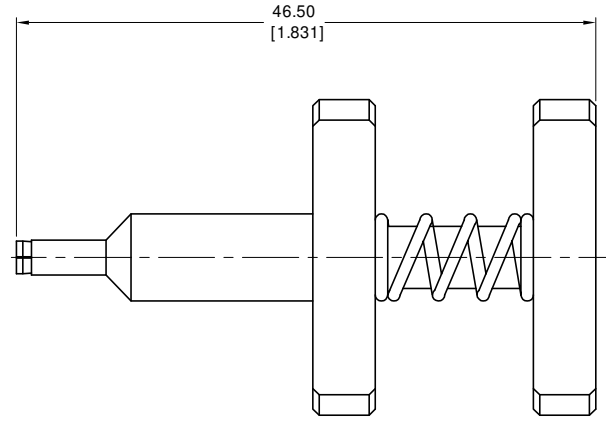
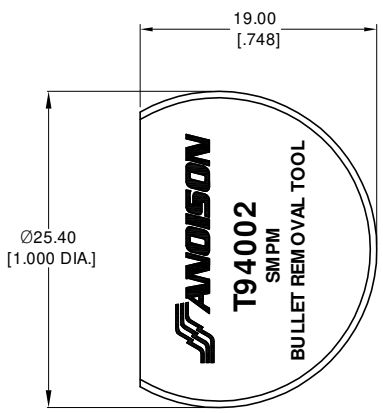
REVISIONS			
REV.	DESCRIPTION	DATE	APPROVED
A	INITIAL RELEASE	06/15/22	J QU
B	ADDED 19.00[.748]	03/21/25	J QU

MATERIAL & FINISH:


- 1 BODY: STAINLESS STEEL, PASSIVATED
- 2 COLLET: BERYLLIUM BRONZE, NICKEL PLATED
- 3 SPRING: STAINLESS STEEL, PASSIVATED

ENVIRONMENTAL DATA:

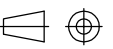
- 1 TEMPERATURE RANGE: -40 °C~+125 °C
- 2 2011/65/EU(RoHS) AND 2015/863/(RoHS): COMPLIANT
- 3 1999/45/EC(REACH): COMPLIANT



DRAWN	P. CHEN	DATE	03/21/25
CHECKED	L. YANG	DATE	03/21/25
APPROVED	J QU	DATE	03/21/25
UNLESS OTHERWISE SPECIFIED DIMENSIONS ARE IN MILLIMETERS, DIMENSIONS IN [] ARE IN INCHES FOR CUSTOMER REFERENCE ONLY UNLESS OTHERWISE SPECIFIED TOLERANCE ARE:		THESE DRAWINGS AND SPECIFICATIONS ARE THE PROPERTY OF ANOISON ELECTRONICS LTD AND SHOULD NOT BE USED WITHOUT WRITTEN PERMISSION COPYRIGHT © 2025 ANOISON ELECTRONICS LTD	
XX	±0.13 [.005"]		
X	±0.20 [.008"]		
X	±0.50 [.019"]		
X"	±1°		
X"	±2°		



TITLE
SMPM BULLET REMOVAL TOOL
(EQUAL TO SV 500-32-007)

VIEW 	PART NO. T94002			
	SIZE A3	SCALE 2.5:1	SHEET 1/1	REV. B

D
C
B
A

D
C
B
A

4

3

2

1

4

3

2

1