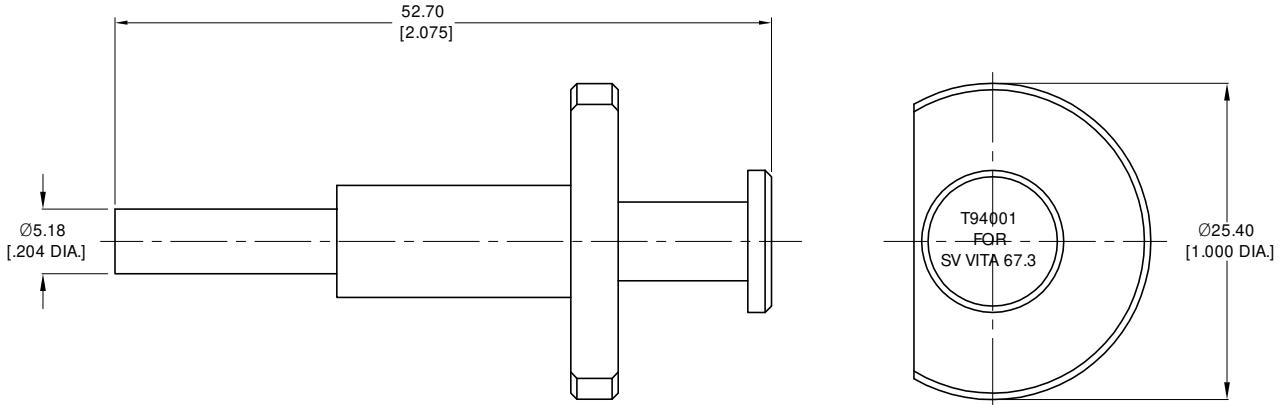



REVISIONS			
REV.	DESCRIPTION	DATE	APPROVED
A	INITIAL RELEASE	06/15/22	J QU

**MATERIAL & FINISH:**  
STAINLESS STEEL, PASSIVATED

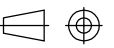
**ENVIRONMENTAL DATA:**  
 1 TEMPERATURE RANGE: -40 °C~+125 °C  
 2 2011/65/EU (RoHS) AND 2015/863/(RoHS): COMPLIANT  
 3 1999/45/EC(REACH): COMPLIANT



DRAWN	P. CHEN	DATE	06/15/22
CHECKED	L. YANG	DATE	06/15/22
APPROVED	J QU	DATE	06/15/22
UNLESS OTHERWISE SPECIFIED DIMENSIONS ARE IN MILLIMETERS, DIMENSIONS IN [ ] ARE IN INCHES FOR CUSTOMER REFERENCE ONLY UNLESS OTHERWISE SPECIFIED TOLERANCE ARE:		THESE DRAWINGS AND SPECIFICATIONS ARE THE PROPERTY OF ANOISON ELECTRONICS LTD AND SHOULD NOT BE USED WITHOUT WRITTEN PERMISSION COPYRIGHT © 2022 ANOISON ELECTRONICS LTD	
XX	±0.13 [.005"]		
X	±0.20 [.008"]		
X	±0.50 [.019"]		
X"	±1°		
X"	±2°		



**TITLE**  
VITA 67.3 BACKPLANE CONTACT REMOVAL TOOL

**VIEW** 

<b>PART NO.</b> T94001			
<b>SIZE</b> A3	<b>SCALE</b> 2.5:1	<b>SHEET</b> 1/1	<b>REV.</b> A

