

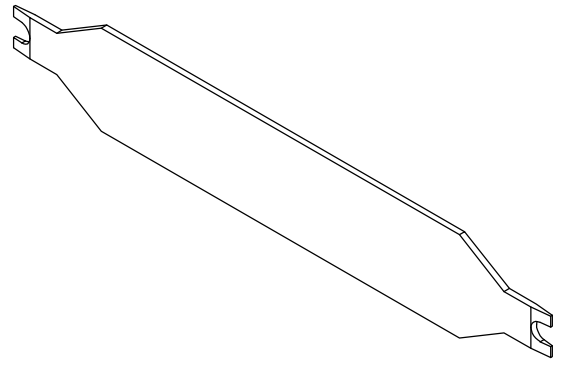
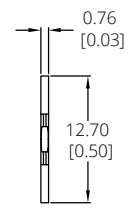
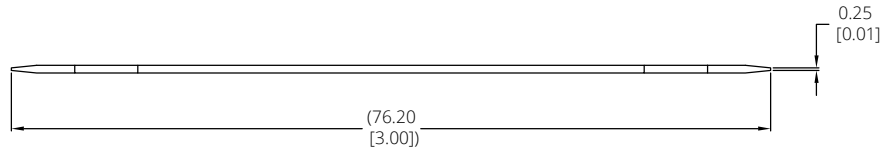
MATERIAL & FINISH:

STAINLESS STEEL, PASSIVATED

ENVIRONMENTAL DATA:

- 1 2011/65/EU(RoHS) AND 2015/863/(RoHS): COMPLIANT
- 2 1907/2006/EC(REACH): COMPLIANT

REVISIONS			
REV.	DESCRIPTION	DATE	APPROVED
A	INITIAL RELEASE	12/03/24	J. Q



DRAWN	W. Y	DATE	12/03/24
CHECKED	X. Y	DATE	12/03/24
APPROVED	J. Q	DATE	12/03/24
UNLESS OTHERWISE SPECIFIED DIMENSIONS ARE IN MILLIMETERS, DIMENSIONS IN [] ARE IN INCHES FOR CUSTOMER REFERENCE ONLY UNLESS OTHERWISE SPECIFIED TOLERANCE ARE:		THESE DRAWINGS AND SPECIFICATIONS ARE THE PROPERTY OF ANOISON ELECTRONICS LTD AND SHOULD NOT BE USED WITHOUT WRITTEN PERMISSION COPYRIGHT © 2024 ANOISON ELECTRONICS LTD	
XX	±0.13 [0.005"]		
X	±0.20 [0.008"]		
X	±0.50 [0.019"]		
X°	±1°		
X°	±2°		



TITLE	EXTRACTION TOOL FOR SMPS(F) STRAIGHT CONNECTOR		
VIEW	PART NO. T78004		

SIZE	A3	SCALE	2.5:1	SHEET	1/1	REV.	A
------	----	-------	-------	-------	-----	------	---