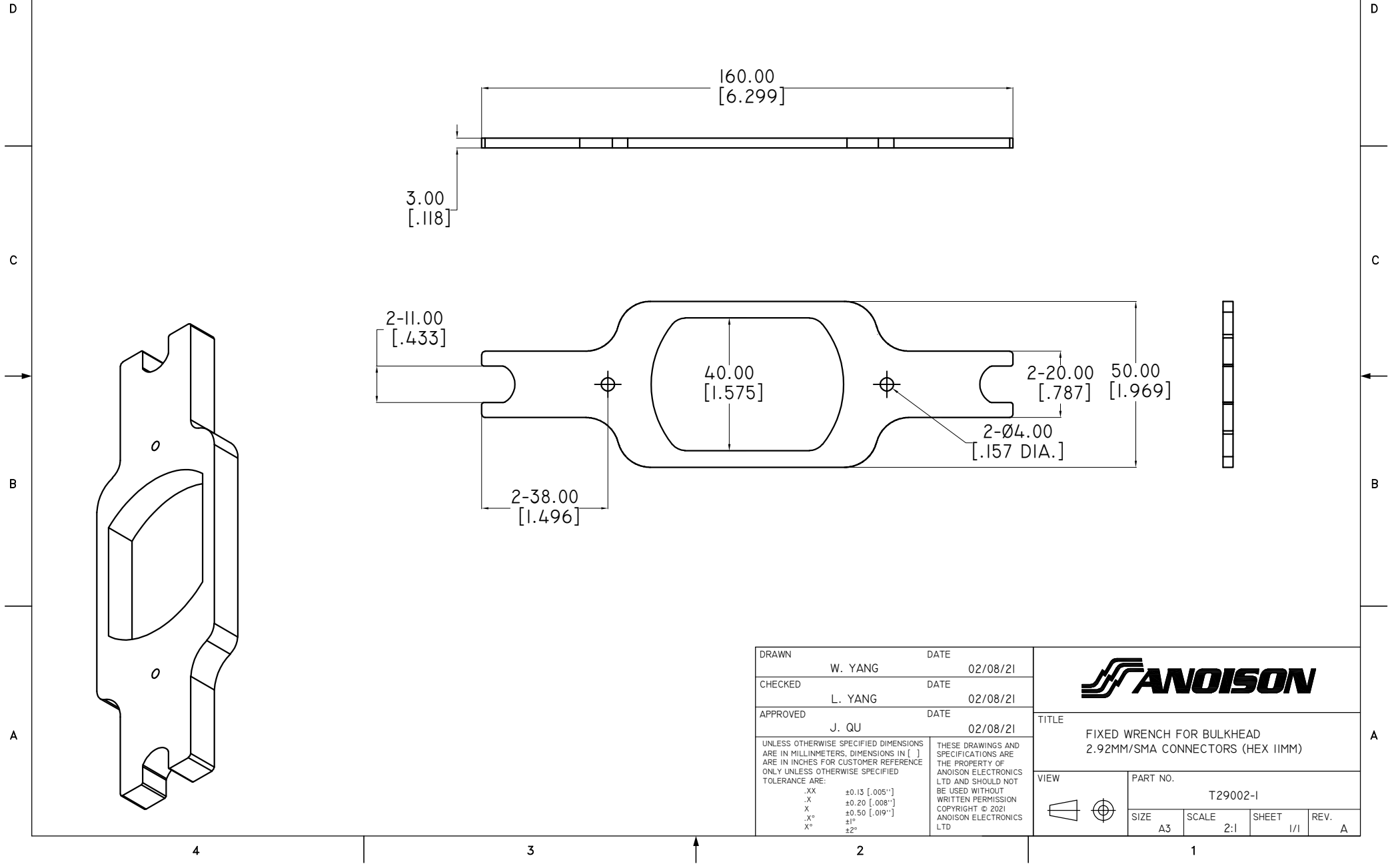



MATERIAL : STAINLESS STEEL

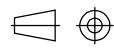
REVISIONS			
REV.	DESCRIPTION	DATE	APPROVED
A	INITIAL RELEASE	02/08/21	J. QU



DRAWN	W. YANG	DATE	02/08/21
CHECKED	L. YANG	DATE	02/08/21
APPROVED	J. QU	DATE	02/08/21
UNLESS OTHERWISE SPECIFIED DIMENSIONS ARE IN MILLIMETERS, DIMENSIONS IN [ ] ARE IN INCHES FOR CUSTOMER REFERENCE ONLY UNLESS OTHERWISE SPECIFIED TOLERANCE ARE:		THESE DRAWINGS AND SPECIFICATIONS ARE THE PROPERTY OF ANOISON ELECTRONICS LTD AND SHOULD NOT BE USED WITHOUT WRITTEN PERMISSION COPYRIGHT © 2021 ANOISON ELECTRONICS LTD	
.XX	±0.13 [ .005" ]		
.X	±0.20 [ .008" ]		
X°	±0.50 [ .019" ]		
X"	±1°		
X"	±2°		



**TITLE**  
FIXED WRENCH FOR BULKHEAD  
2.92MM/SMA CONNECTORS (HEX I1MM)

**VIEW** 

**PART NO.**  
T29002-1

<b>SIZE</b> A3	<b>SCALE</b> 2:1	<b>SHEET</b> 1/1	<b>REV.</b> A
-------------------	---------------------	---------------------	------------------