

4

3

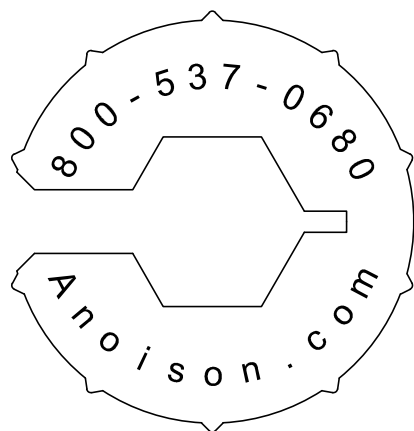
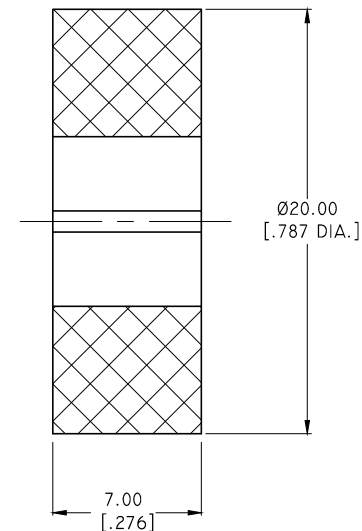
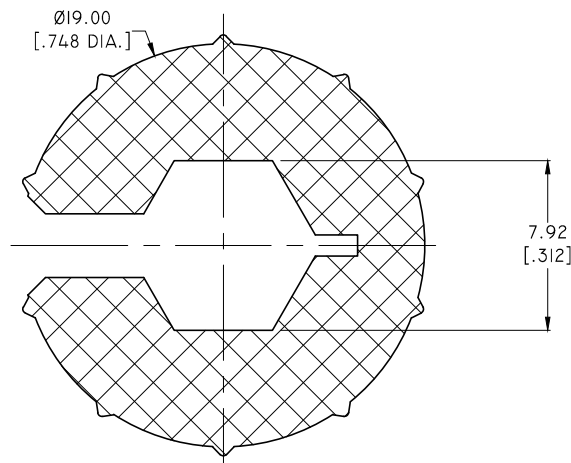
2

1

MATERIAL:  
BODY: ABS (BLUE)

ENVIRONMENTAL DATA:  
I. 2011/65/EU (RoHS): COMPLIANT

REVISIONS			
REV.	DESCRIPTION	DATE	APPROVED
A	INITIAL RELEASE	05/19/17	J. QU

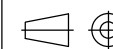


DRAWN	W. YANG	DATE	05/19/17
CHECKED	L. YANG	DATE	05/19/17
APPROVED	J. QU	DATE	05/19/17
UNLESS OTHERWISE SPECIFIED DIMENSIONS ARE IN MILLIMETERS, DIMENSIONS IN [ ] ARE IN INCHES FOR CUSTOMER REFERENCE ONLY UNLESS OTHERWISE SPECIFIED TOLERANCE ARE:		THESE DRAWINGS AND SPECIFICATIONS ARE THE PROPERTY OF ANOISON ELECTRONICS LTD AND SHOULD NOT BE USED WITHOUT WRITTEN PERMISSION COPYRIGHT © 2017 ANOISON ELECTRONICS LTD	
.XX	+0.08 [.003"]		
.X	+0.20 [.008"]		
X	+0.50 [.019"]		
.X°	±1°		
X°	±2°		



TITLE  
SMA, 3.5MM 2.92MM, 2.4MM, 1.85MM CONNECTOR - FINGER THUMB WRENCH BLUE

VIEW



PART NO.

T21003

SIZE  
A3

SCALE  
4:1

SHEET  
1/1

REV.  
A

4

3

2

1