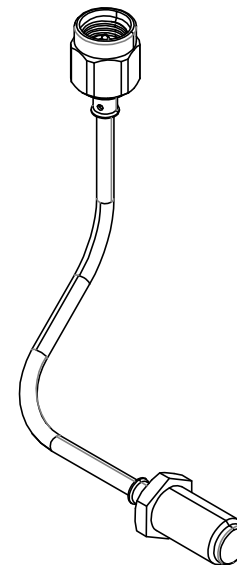
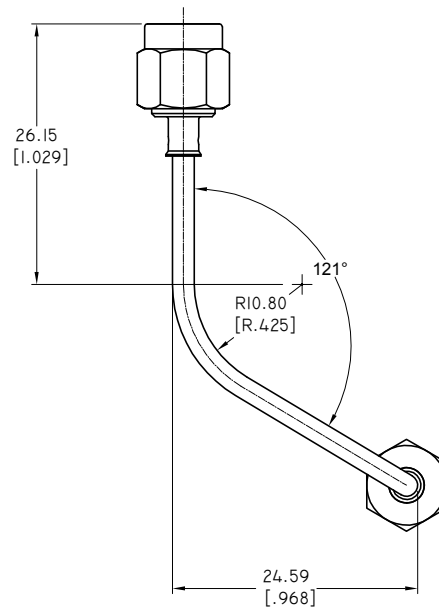
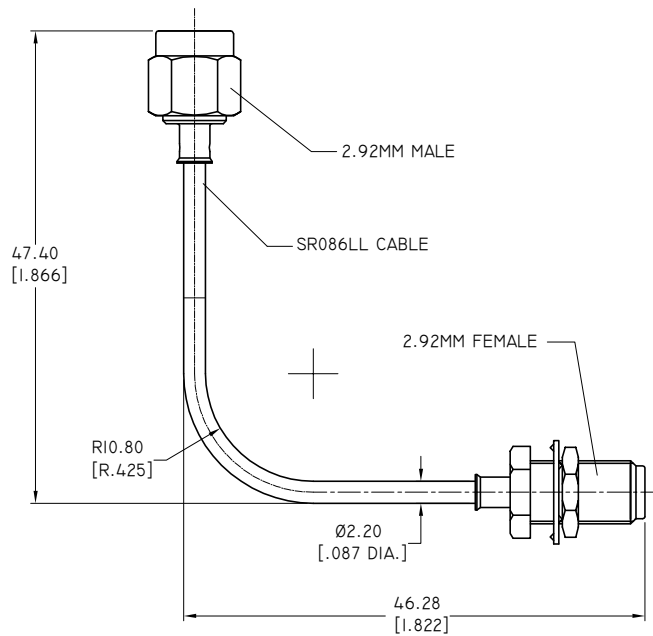


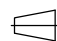

ELECTRICAL DATA:

- 1 IMPEDANCE: 50 OHMS
- 2 FREQUENCY RANGE: DC-40 GHZ



TITLE
 CABLE ASSEMBLY, 2.92 STRAIGHT MALE TO 2.92 STRAIGHT FEMALE, SR086LL CABLE, 0.077 METERS

NOTES:
 1. UNLESS OTHERWISE SPECIFIED ALL DIMENSIONS ARE NOMINAL.
 2. ALL SPECIFICATIONS ARE SUBJECT TO CHANGED WITHOUT NOTICE AT ANY TIME.
 3. DIMENSIONS ARE IN MILLIMETERS, DIMENSIONS IN [] ARE IN INCHES
 4. LENGTH TOLERANCE IS ±2%.

VIEW	PART NO.			
 	SR086LL-29M-29F-77MM			
SIZE	SCALE	SHEET	REV.	
A3	2:1	1/1	A	