

**MATERIAL & FINISH:**

**1.0MM CONNECTOR:**

- 1 BODY: STAINLESS STEEL, PASSIVATED
- 2 CENTER CONTACT: BERYLLIUM COPPER ALLOY, GOLD PLATED
- 3 SOLDER FERRULE: BRASS, GOLD PLATED
- 4 INSULATOR: PEI

**ANO SR047LL CABLE:**

- 1 INNER CONDUCTOR: SILVER PLATED COPPER
- 2 DIELECTRIC: LD PTFE
- 3 OUTER CONDUCTOR: COPPER TUBE

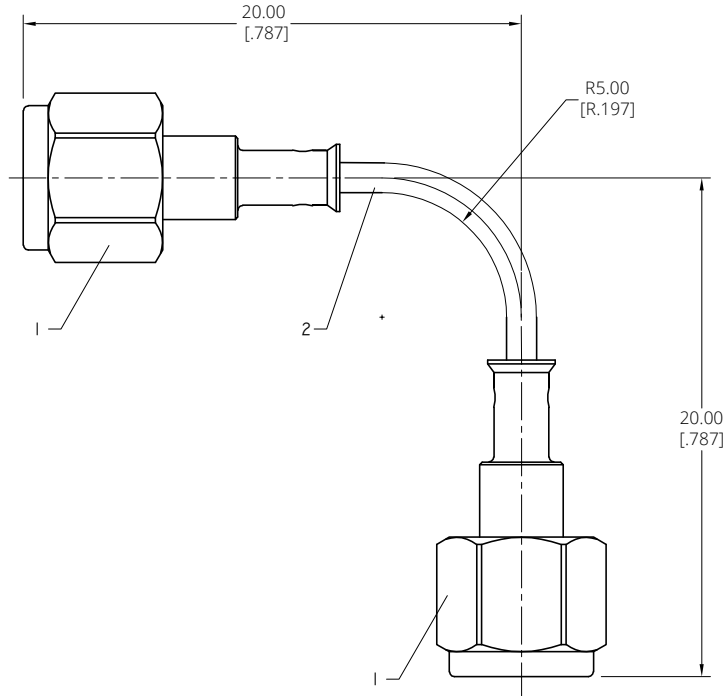
**ELECTRICAL DATA:**

- 1 IMPEDANCE: 50 Ω
- 2 FREQUENCY RANGE: DC~110 GHz
- 3 VSWR: 1.40 MAX.
- 4 INSERTION LOSS: 1.60 DB MAX.

**ENVIRONMENTAL DATA:**


- 1 TEMPERATURE RANGE: -55°C~+125°C
- 2 2011/65/EU(RoHS) AND 2015/863/(RoHS): COMPLIANT
- 3 1999/45/EC(REACH): COMPLIANT

| REVISIONS |                 |          |          |
|-----------|-----------------|----------|----------|
| REV.      | DESCRIPTION     | DATE     | APPROVED |
| A         | INITIAL RELEASE | 02/09/23 | J. Q     |
|           |                 |          |          |

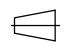



| 2               | ANO SR047LL   | ANO SR047LL CABLE                         | 1   |
|-----------------|---------------|-------------------------------------------|-----|
| 1               | ANO 7611-2017 | 1.0MM STRAIGHT MALE SOLDER FOR .047 CABLE | 2   |
| SEQUENCE NUMBER | PART NO.      | DESCRIPTION                               | QTY |

|                                                                                                                                                                 |              |                                                                                                                                                                          |          |
|-----------------------------------------------------------------------------------------------------------------------------------------------------------------|--------------|--------------------------------------------------------------------------------------------------------------------------------------------------------------------------|----------|
| DRAWN                                                                                                                                                           | W. Y         | DATE                                                                                                                                                                     | 02/09/23 |
| CHECKED                                                                                                                                                         | X. Y         | DATE                                                                                                                                                                     | 02/09/23 |
| APPROVED                                                                                                                                                        | J. Q         | DATE                                                                                                                                                                     | 02/09/23 |
| UNLESS OTHERWISE SPECIFIED DIMENSIONS ARE IN MILLIMETERS, DIMENSIONS IN [ ] ARE IN INCHES FOR CUSTOMER REFERENCE ONLY UNLESS OTHERWISE SPECIFIED TOLERANCE ARE: |              | THESE DRAWINGS AND SPECIFICATIONS ARE THE PROPERTY OF ANOISON ELECTRONICS LTD AND SHOULD NOT BE USED WITHOUT WRITTEN PERMISSION COPYRIGHT © 2023 ANOISON ELECTRONICS LTD |          |
| XX                                                                                                                                                              | ±0.13 [005"] |                                                                                                                                                                          |          |
| X                                                                                                                                                               | ±0.20 [008"] |                                                                                                                                                                          |          |
| x                                                                                                                                                               | ±0.50 [019"] |                                                                                                                                                                          |          |
| x"                                                                                                                                                              | ±1"          |                                                                                                                                                                          |          |
| x°                                                                                                                                                              | ±2°          |                                                                                                                                                                          |          |



**TITLE**  
CABLE ASSEMBLY, 1.0MM STRAIGHT MALE TO 1.0MM STRAIGHT MALE, SR047LL CABLE,20MM

**VIEW**  

**PART NO.**  
SR047LL-1.0M-1.0M-20MM

|      |       |       |      |
|------|-------|-------|------|
| SIZE | SCALE | SHEET | REV. |
| A3   | 5:1   | 1/1   | A    |

