

**MATERIAL & FINISH:**

**1.0MM CONNECTOR:**

- 1 BODY: STAINLESS STEEL, PASSIVATED
- 2 CENTER CONTACT: BERYLLIUM COPPER ALLOY, GOLD PLATED
- 3 SOLDER FERRULE: BRASS, GOLD PLATED
- 4 INSULATOR: PEI

**ANO SR047LL CABLE:**

- 1 INNER CONDUCTOR: SILVER PLATED COPPER
- 2 DIELECTRIC: LD PTFE
- 3 OUTER CONDUCTOR: COPPER TUBE

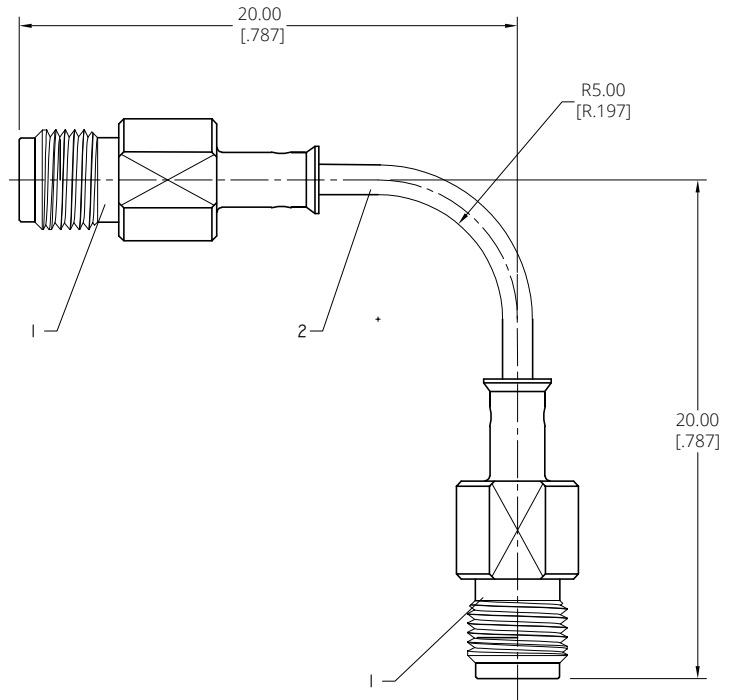
**ELECTRICAL DATA:**

- 1 IMPEDANCE: 50 Ω
- 2 FREQUENCY RANGE: DC~110 GHz
- 3 VSWR: 1.40 MAX.
- 4 INSERTION LOSS: 1.60 DB MAX.

**ENVIRONMENTAL DATA:**

- 1 TEMPERATURE RANGE: -55°C~+125°C
- 2 2011/65/EU(RoHS) AND 2015/863/(RoHS): COMPLIANT
- 3 1999/45/EC(REACH): COMPLIANT

REVISIONS			
REV.	DESCRIPTION	DATE	APPROVED
A	INITIAL RELEASE	02/09/23	J. Q



2	ANO SR047LL	ANO SR047LL CABLE	1
1	ANO 7612-2018	1.0MM STRAIGHT FEMALE SOLDER FOR .047 CABLE	2
SEQUENCE NUMBER	PART NO.	DESCRIPTION	QTY

DRAWN	W. Y	DATE	02/09/23
CHECKED	X. Y	DATE	02/09/23
APPROVED	J. Q	DATE	02/09/23
UNLESS OTHERWISE SPECIFIED DIMENSIONS ARE IN MILLIMETERS, DIMENSIONS IN [ ] ARE IN INCHES FOR CUSTOMER REFERENCE ONLY UNLESS OTHERWISE SPECIFIED TOLERANCE ARE:		THESE DRAWINGS AND SPECIFICATIONS ARE THE PROPERTY OF ANOISON ELECTRONICS LTD AND SHOULD NOT BE USED WITHOUT WRITTEN PERMISSION COPYRIGHT © 2023 ANOISON ELECTRONICS LTD	
XX	±0.13 [0.005"]		
X	±0.20 [0.008"]		
x	±0.50 [0.019"]		
x"	±1°		
x°	±2°		

**TITLE**  
CABLE ASSEMBLY, 1.0MM STRAIGHT FEMALE TO 1.0MM STRAIGHT FEMALE, SR047LL CABLE, 20MM

**VIEW**

**PART NO.**  
SR047LL-1.0F-1.0F-20MM

<b>SIZE</b> A3	<b>SCALE</b> 5:1	<b>SHEET</b> 1/1	<b>REV.</b> A
-------------------	---------------------	---------------------	------------------

