

4

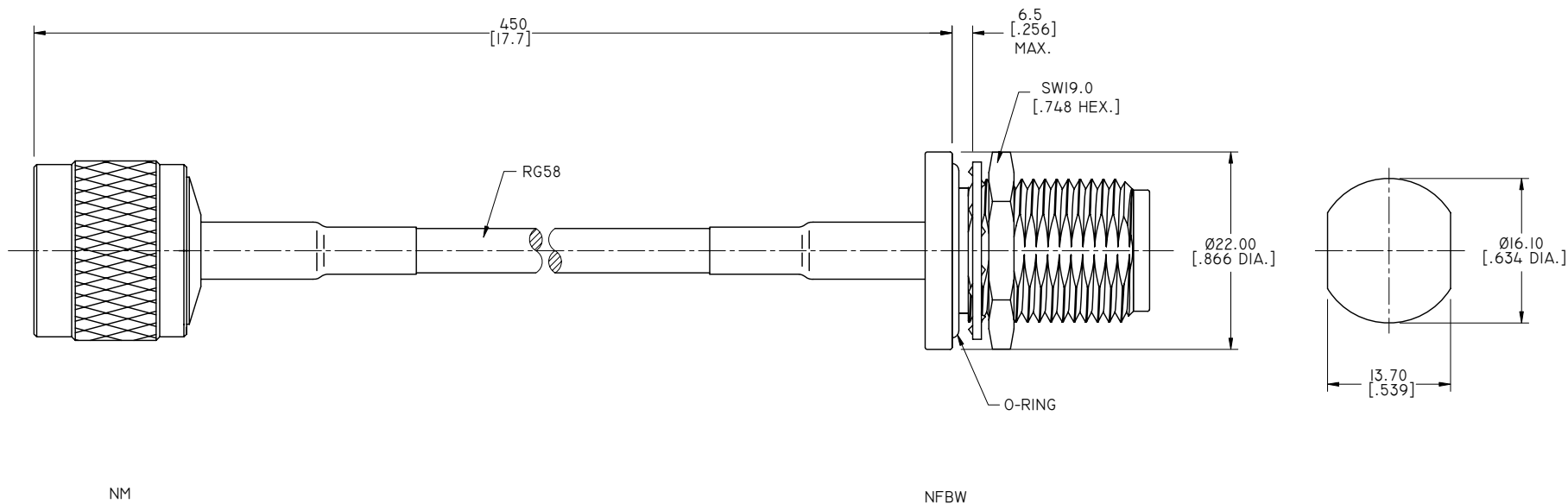
3

2

1

ELECTRICAL DATA:

- 1 IMPEDANCE: 50 OHMS
- 2 FREQUENCY RANGE: DC~2 GHZ
- 3 VSWR: 1.30 MAX.
- 4 INSERTION LOSS: 1.15 DB MAX.



TITLE
 CABLE ASSEMBLY, N MALE TO N BULKHEAD FEMALE,
 RG58 CABLE, 0.45 METERS

NOTES:
 1. UNLESS OTHERWISE SPECIFIED ALL DIMENSIONS ARE NOMINAL.
 2. ALL SPECIFICATIONS ARE SUBJECT TO CHANGED WITHOUT NOTICE AT ANY TIME.
 3. DIMENSIONS ARE IN MILLIMETERS, DIMENSIONS IN [] ARE IN INCHES
 4. LENGTH TOLERANCE IS ±1.5%.

VIEW



PART NO.

RG58-NM-NFBW-450MM

SIZE

A3

SCALE

2:1

SHEET

1/1

REV.

A

4

3

2

1