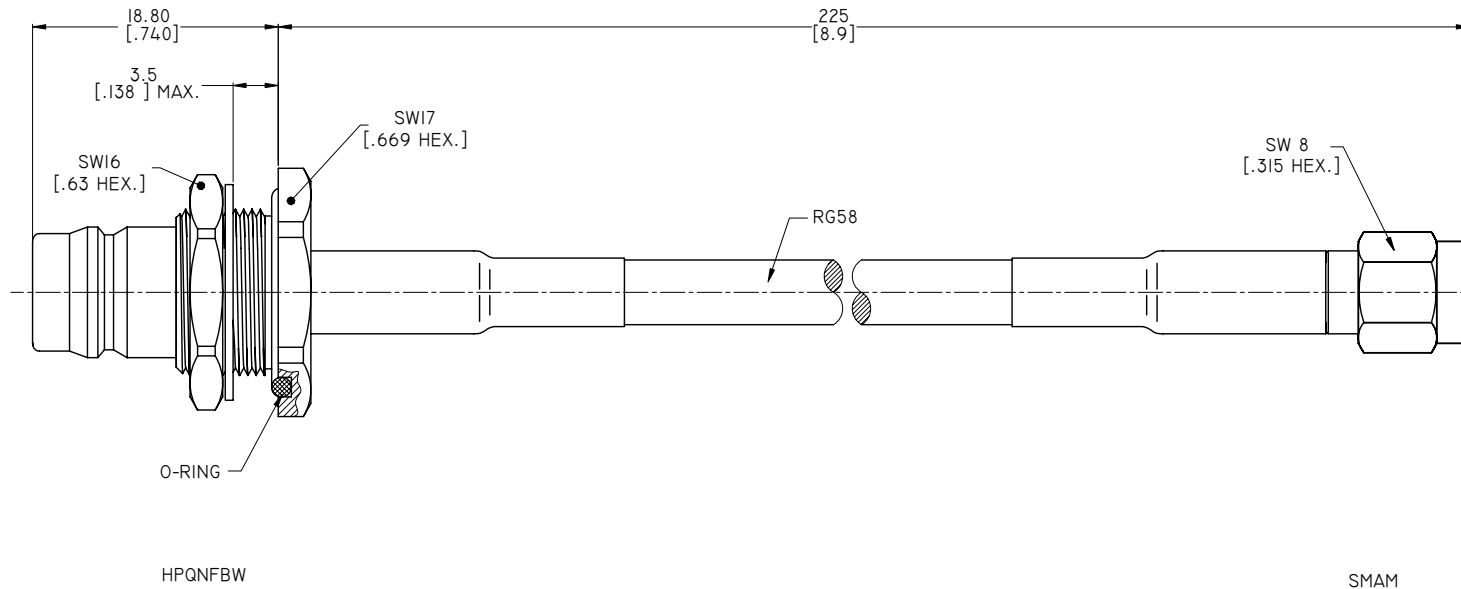




ELECTRICAL DATA:

- 1 IMPEDANCE: 50 OHMS
- 2 FREQUENCY RANGE: DC~2 GHZ
- 3 VSWR: 1.30 MAX.
- 4 INSERTION LOSS: 0.90 DB MAX.



TITLE  
 CABLE ASSEMBLY, HPQN STRAIGHT FEMALE  
 WATERPROOFBULKHEAD TO SMA STRAIGHT MALE, RG58  
 CABLE, 0.225 METERS

NOTES:  
 1. UNLESS OTHERWISE SPECIFIED ALL DIMENSIONS ARE NOMINAL.  
 2. ALL SPECIFICATIONS ARE SUBJECT TO CHANGED WITHOUT NOTICE AT ANY TIME.  
 3. DIMENSIONS ARE IN MILLINMETERS, DIMENSIONS IN [ ] ARE IN INCHES  
 4. LENGTH TOLERANCE IS ±1.5%.

VIEW	PART NO.		
 	RG58-HPQNF BW-SMAM-225MM		
SIZE	SCALE	SHEET	REV.
A3	2.5:1	1/1	A