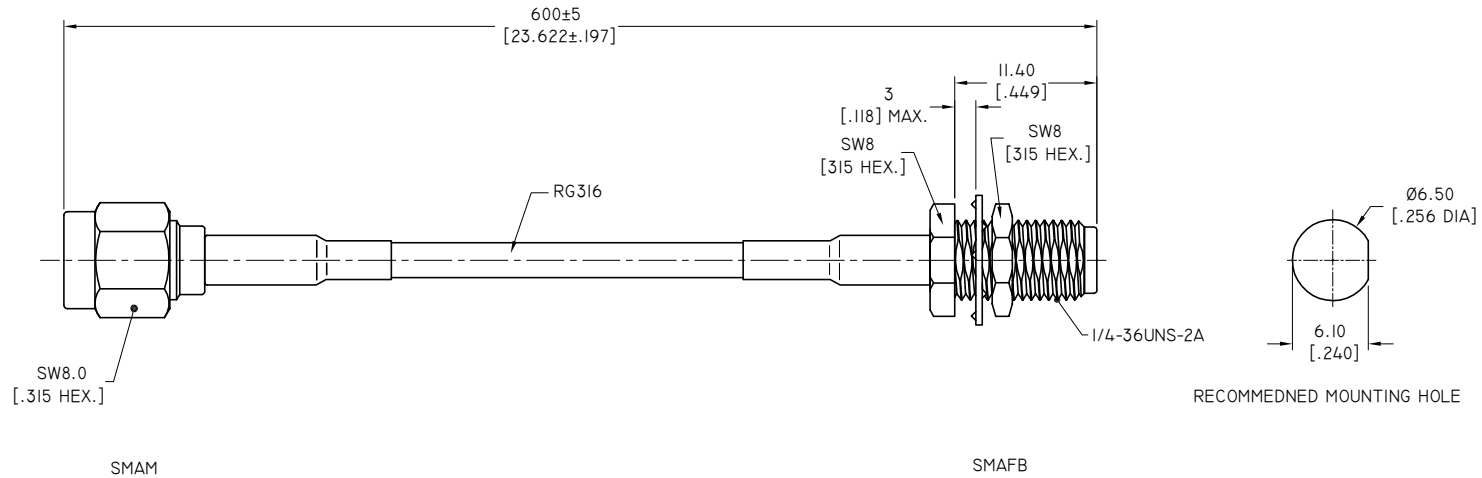


ELECTRICAL DATA:

- 1 IMPEDANCE: 50 OHMS
- 2 FREQUENCY RANGE: DC-3 GHZ
- 3 VSWR: 1.35 MAX.
- 4 INSERT LOSS: 1.40 DB



RECOMMENDED MOUNTING HOLE



TITLE
 CABLE ASSEMBLY, SMA STRAIGHT MALE TO SMA
 STRAIGHT FEMALE BULKHEAD, ANO RG316 CABLE, 600MM

NOTES:
 1. UNLESS OTHERWISE SPECIFIED ALL DIMENSIONS ARE NOMINAL.
 2. ALL SPECIFICATIONS ARE SUBJECT TO CHANGED WITHOUT NOTICE AT ANY TIME.
 3. DIMENSIONS ARE IN MILLIMETERS, DIMENSIONS IN [] ARE IN INCHES
 4. LENGTH TOLERANCE IS ±1.5%.

VIEW 	PART NO. RG316-SMAM-SMAFB-600MM			
	SIZE A3	SCALE 2.5:1	SHEET 1/1	REV. A