

MATERIAL & FINISH:

QMA CONNECTOR:

- 1 BODY: BRASS, ALBALOY PLATED
- 2 CENTER CONTACT: BRASS, GOLD PLATED
- 3 INSULATOR: PTFE
- 4 UNLOCK SEEVE: STAINLESS, PASSIVATED
- 5 GASKET: MVQ(SILICONE RUBBER)

MMCX CONNECTOR:

- 1 BODY: BRASS, GOLD PLATED
- 2 CENTER CONTACT: BRASS, GOLD PLATED
- 3 INSULATOR: PTFE

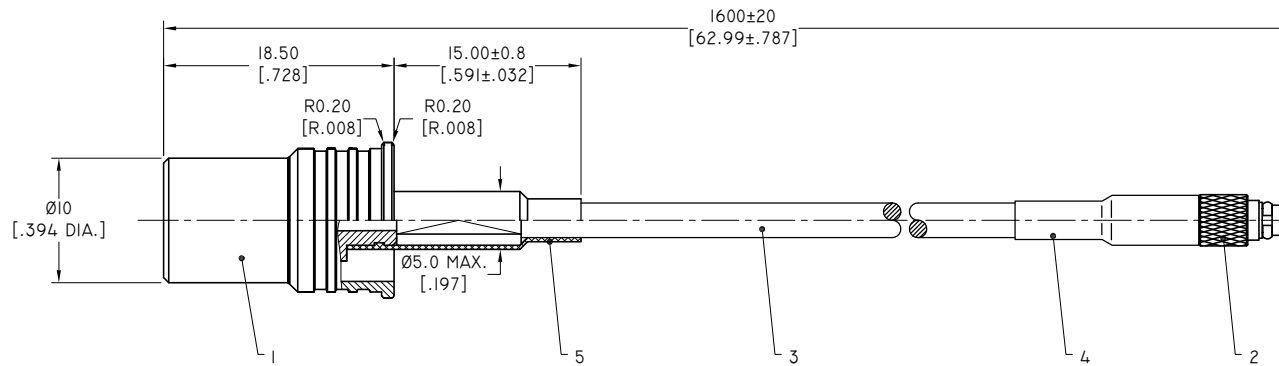
ELECTRICAL SPECIFICATIONS:

- 1 IMPEDANCE: 50 Ω
- 2 WITHSTAND VOLTAGE: 1000 V
- 3 FREQUENCY RANGE: DC-1000 MHZ
- 4 VSWR: 1.30 MAX.
- 5 INSERTION LOSS: 2.04 DB MAX.

ENVIRONMENTAL SPECIFICATIONS :

- 1 TEMPERATURE RANGE: -55°C~+125°C
- 2 2011/65/EU (ROHS): COMPLIANT
- 3 DURABILITY: 5000 CYCLES
- 4 QMA SIDE IP GRADE: IP66 WHEN MATED

REVISIONS			
REV.	DESCRIPTION	DATE	APPROVED
A	INITIAL RELEASE	03/16/21	J. QU



SEQUENCE NUMBER	PART NO.	DESCRIPTION	QTY
5		SILICA GEL HEAT-SHRINK TUBES	1
4	ANO 8.687.102	HEAT-SHRINK TUBES	1
3	RG174	RG174 CABLE	1
2	ANO 1111-2006	MMCX STRAIGHT MALE CRIMP FOR RG174 CABLE	1
1	ANO 2611-2118	QMA STRAIGHT MALE CRIMP FOR RG174 CABLE	1

DRAWN	DATE	
W. YANG	05/13/22	
CHECKED	DATE	
L. YANG	05/13/22	TITLE
APPROVED	DATE	CABLE ASSEMBLY, QMA STRAIGHT MALE TO MMCX STRAIGHT MALE, RG174 CABLE, 1.6M
J. QU	05/13/22	VIEW
UNLESS OTHERWISE SPECIFIED DIMENSIONS ARE IN MILLIMETERS, DIMENSIONS IN [] ARE IN INCHES FOR CUSTOMER REFERENCE ONLY UNLESS OTHERWISE SPECIFIED TOLERANCE ARE:		PART NO.
.XX ±0.13 [.005"]		RG174-QMAM-MMCXM-1.6M
.X ±0.20 [.008"]		SIZE
X ±0.50 [.019"]		A3
X° ±1°		SCALE
X* ±2°		2.5:1
THESE DRAWINGS AND SPECIFICATIONS ARE THE PROPERTY OF ANOISON ELECTRONICS LTD AND SHOULD NOT BE USED WITHOUT WRITTEN PERMISSION COPYRIGHT © 2022 ANOISON ELECTRONICS LTD		SHEET
		1/1
		REV.
		A