

4

3

2

1

ELECTRICAL DATA:

- 1 IMPEDANCE: 50 OHMS
- 2 FREQUENCY RANGE: DC~18 GHz
- 3 VSWR: 1.30 MAX
- 4 INSERTION LOSS: 17.3dBMAX.

ENVIRONMENTAL DATA:

- 1 OPERATING TEMPERATURE: 0~+40 °C
- 2 STORAGE TEMPERATURE: -65 °C~+165 °C
- 3 2011/65/EU(RoHS) AND 2015/863/(RoHS): COMPLIANT
- 4 1999/45/EC(REACH): COMPLIANT

MECHANICAL DATA:

- 1 MAXIMUM OUTER DIAMETER: 10.4 MM
- 2 MINIMUM STATIC BEND RADIUS: 32 MM
- 3 MATING CYCLES: > 5000
- 4 CRUSH RESISTANCE: > 100 KG
- 5 RECOMMENDED TORQUE: N(M) 1.1 NM.

D

D

C

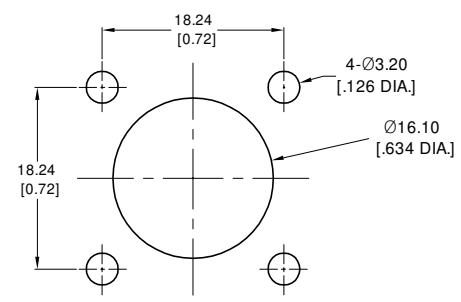
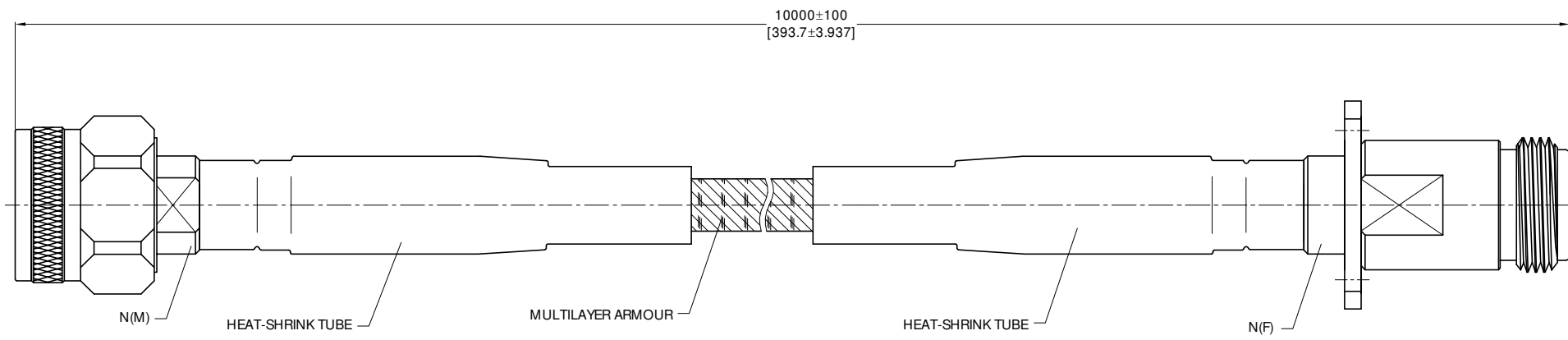
C

B

B

A

A

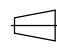



RECOMMENDED MOUNTING HOLE

NOTES:
 1. UNLESS OTHERWISE SPECIFIED ALL DIMENSIONS ARE NOMINAL.
 2. ALL SPECIFICATIONS ARE SUBJECT TO CHANGED WITHOUT NOTICE AT ANY TIME
 3. DIMENSIONS ARE IN MILLIMETERS, DIMENSIONS IN [] ARE IN INCHES
 4. LENGTH TOLERANCE IS ±2%.



TITLE
 PT TEST CABLE , N (M) TO N(F) CONNECTOR,
 10 METERS

VIEW	PART NO.			
 	PT-NM-NF4HF-10M			
SIZE	SCALE	SHEET	REV.	
A3	2:1	1/1	A	

4

3

2

1