

4 | 3 | 2 | 1

MATERIAL & FINISH:

- 1 CONNECTOR BODY: STAINLESS STEEL, PASSIVATED
- 2 CONNECTOR CENTER CONTACT: BERYLLIUM COPPER ALLOY, GOLD PLATED
- 3 OUTER JACKET: MULTILAYER ARMOUR

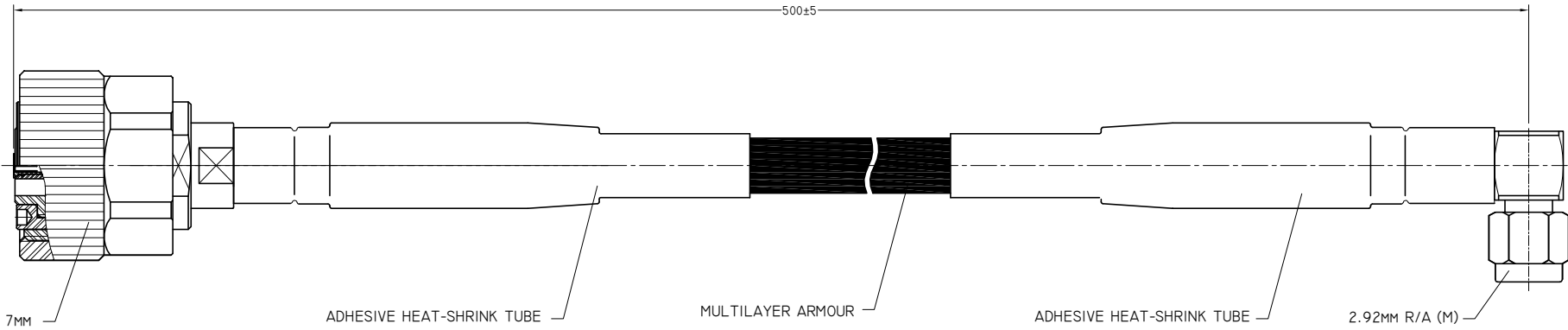
ENVIRONMENTAL DATA:

- 1 TEMPERATURE RANGE: -40 °C~+75 °C
- 2 2011/65/EU (RoHS): COMPLIANT

REVISIONS			
REV.	DESCRIPTION	DATE	APPROVED
A	INITIAL RELEASE	07/03/18	J. QU

ELECTRICAL DATA:

- 1 IMPEDANCE: 50 OHMS
- 2 FREQUENCY RANGE: DC-16 GHZ
- 3 VSWR: 1.25 MAX.
- 4 INSERTION LOSS: 1.65 DB MAX.
- 5 PHASE STABILITY: $\leq \pm 3.7^\circ$ TYP.
- 6 AMPLITUDE STABILITY: ± 0.05 DB TYP.



DRAWN	W. YANG	DATE	07/03/18
CHECKED	L. YANG	DATE	07/03/18
APPROVED	J. QU	DATE	07/03/18
UNLESS OTHERWISE SPECIFIED DIMENSIONS ARE IN MILLIMETERS, DIMENSIONS IN [] ARE IN INCHES FOR CUSTOMER REFERENCE ONLY UNLESS OTHERWISE SPECIFIED TOLERANCE ARE:		THESE DRAWINGS AND SPECIFICATIONS ARE THE PROPERTY OF ANOISON ELECTRONICS LTD AND SHOULD NOT BE USED WITHOUT WRITTEN PERMISSION COPYRIGHT © 2018 ANOISON ELECTRONICS LTD	
.XX	±0.13 [.005"]		
.X	±0.20 [.008"]		
X	±0.50 [.019"]		
X°	±1°		
X°	±2°		



TITLE			
0.5 METERS CABLE, 7MM STRAIGHT TO 2.92MM R/A (M) CONNECTOR			
VIEW	PART NO.		
	PT-7MM-29LM-50CM		
SIZE	SCALE	SHEET	REV.
A3	2.5:1	I/I	A

4 | 3 | 2 | 1