

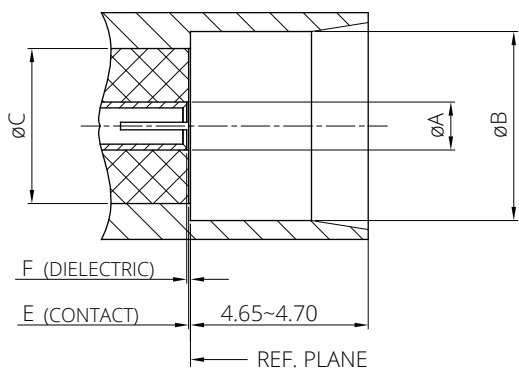
# PO-26 contacts for D38999



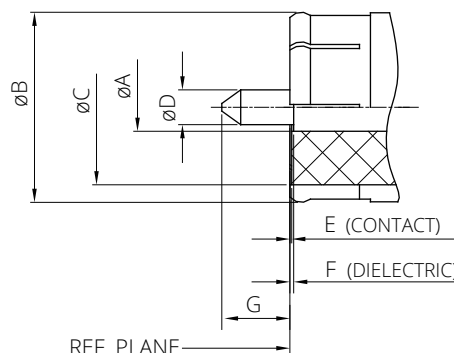
PO-26 is a push-on style SMA connector that keeps the same SMA RF interface but eliminates the thread connection mechanism.

It is designed for the circular connector D38999 intercontact in size 8. It works up to 26 GHz with the same IL, VSWR, and power as SMA.

Combined with a spring load mechanism in the D38999 shell, it also performs with high stability under shaking conditions. It attaches with different cable groups flexibly, such as .086 to .210 coax.



Jack (Female Socket)



Plug (Male Pin)

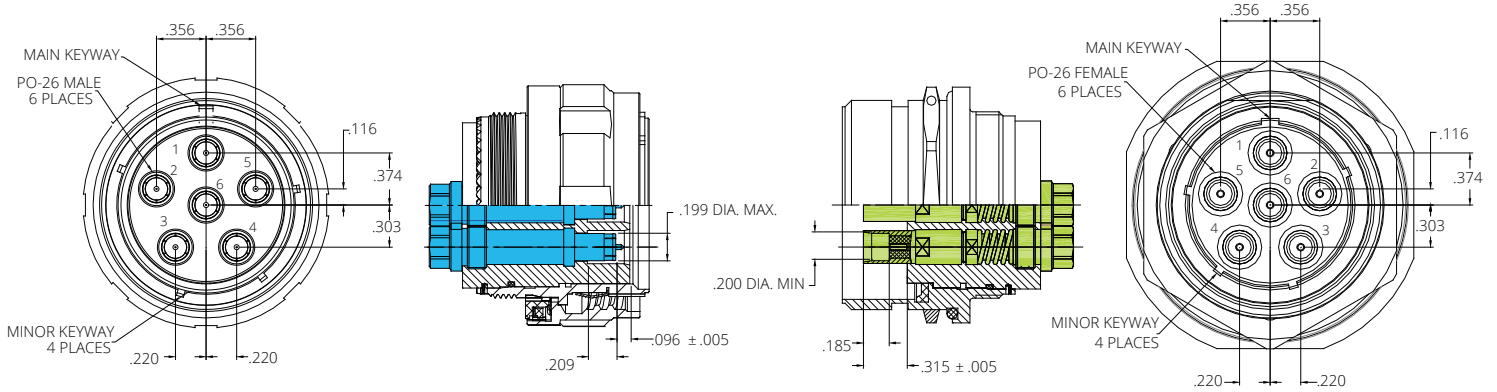
## PO-26 Interface

Dim. Ltr.	Jack (Female Socket)	
	Min.(mm/Inches)	Max.(mm/Inches)
A	1.27 (.050) REF.	
B	.200 (5.08)	-----
C	-----	.1645 (4.178)
E	.000 (0.00)	.005 (0.13)
F	.000 (0.00)	.005 (0.13)
G	.183 (4.65)	.185 (4.70)

Dim. Ltr.	Plug (Male Pin)	
	Min.(mm/Inches)	Max.(mm/Inches)
A	1.27 (.050) REF.	
B	-----	.199 (5.06)
C	-----	.1645 (4.178)
D	.0355 (0.902)	.0370 (0.940)
E	.000 (0.00)	.005 (0.13)
F	.000 (0.00)	.005 (0.13)
G	.065 (1.65)	.085 (2.16)

Electrical	Environmental
<p><b>Impedance:</b> 50 Ohms</p> <p><b>Frequency range:</b> DC-26 GHz</p> <p><b>VSWR:</b> 1.06+.01F (GHz)</p> <p><b>Attenuation:</b> .050 x <math>\sqrt{f}</math> (GHz)</p> <p><b>Insulation Resistance:</b> 5000 megohms</p> <p><b>Contact Resistance:</b> The center contact resistance drop shall not exceed 2.0 milliohms and the outer contact resistance drop shall not exceed 2.0 milliohms.</p> <p><b>Dielectric Withstanding Voltage:</b> 1,000 volts rms at sea level</p> <p><b>RF Leakage:</b> - (90 - f (GHz)) dB</p>	<p><b>Temperature Range:</b> -55 C ~+165 C</p> <p><b>Salt Spray:</b> Specification MIL-STD-202, Method 101, Test Condition B. The salt solution shall be 5%.</p> <p><b>Vibration:</b> Specification MIL-STD-202, Method 204, Test Condition D.</p> <p><b>Shock:</b> Specification MIL-STD-202, Method 213, Test Condition I.</p> <p><b>Thermal Shock:</b> Specification MIL-STD-202, Method 107, Test Condition B, except high temperature shall be + 200 C.</p> <p><b>Moisture Resistance:</b> Specification MIL-STD-202, Method 106. Step 7b (vibration) shall be omitted. Insulation resistance shall be 200 megohms min. within 5 minutes of removal from humidity.</p> <p><b>Corona Level:</b> The connector shall not exhibit breakdown (corona) when the applied voltage is 250 volts rms and the altitude is 70,000 feet.</p>

Mechanical	Material & Finishes
<p>PO-26 Interface Per SMA (MIL-STD-348A)</p> <p><b>Durability:</b> 500 cycles min.</p> <p><b>Force to Engage:</b> 9 N MAX.</p> <p><b>Force to Disengage:</b> 1 N MIN.</p>	<p><b>Contacts:</b> Brass, Gold plated / Beryllium copper, Gold Plated</p> <p><b>Body:</b> Brass, Gold plated / Stainless steel, Passivated</p> <p><b>Insulators:</b> PTFE</p>



PO-26 size-8 contacts fixed in D38999 #23 connector typical application



PO-26 size-8 contacts for D38999