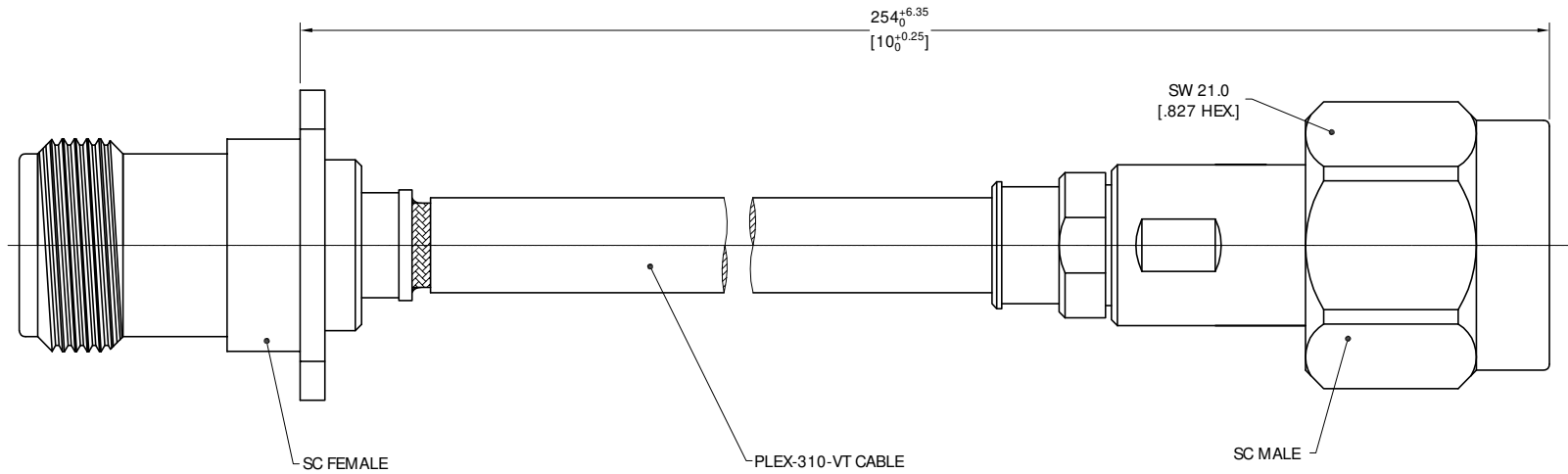


ELECTRICAL DATA:

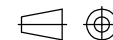
- 1. IMPEDANCE: 50 Ω
- 2. FREQUENCY RANGE: DC-1.1 GHz
- 3. VSWR: 1.15 MAX
- 4. INSERTION LOSS: 0.65DB MAX



TITLE
CABLE ASSEMBLY, SC STRAIGHT FEMALE, 4 HOLE FLANGE
TO SC STRAIGHT MALE, PLEX-310-VT CABLE, 10 INCHES

- NOTES:
1. UNLESS OTHERWISE SPECIFIED ALL DIMENSIONS ARE NOMINAL.
2. ALL SPECIFICATIONS ARE SUBJECT TO CHANGED WITHOUT NOTICE AT ANY TIME
3. DIMENSIONS ARE IN MILLIMETERS, DIMENSIONS IN [] ARE IN INCHES
4. LENGTH TOLERANCE IS ±2%.

VIEW



PART NO.

PLEX310-SCF4F-SCM-10

SIZE
A3

SCALE
2.5:1

SHEET
1/1

REV.
A