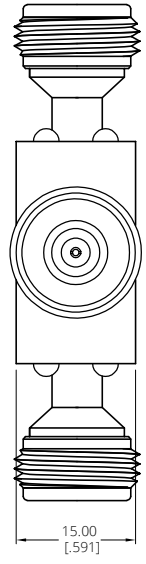
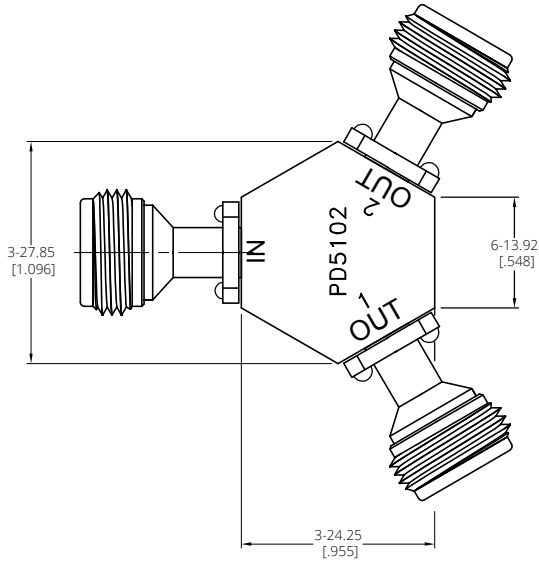


| ELECTRICAL DATA        |             |
|------------------------|-------------|
| NUMBER OF OUTPUT PORTS | 2           |
| FREQUENCY RANGE        | DC~18 GHz   |
| IMPEDANCE: 50 Ω        | 50 Ω        |
| VSWR                   | ≤1.80       |
| INSERTION LOSS         | ≤6.0±1.8 dB |
| POWER                  | 0.5 W CW    |

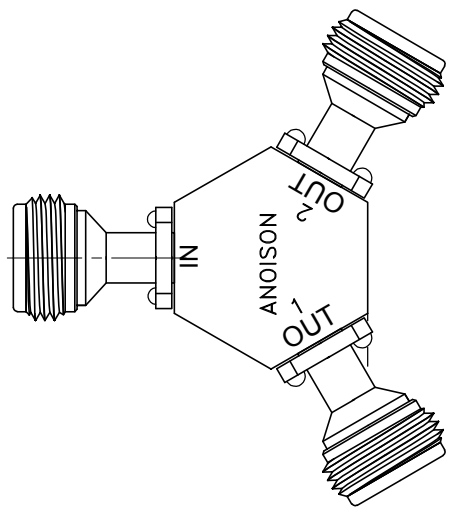
| MATERIAL AND FINISH   |  |
|-----------------------|--|
| CONNECTOR(SMA FEMALE) | STAINLESS STEEL, PASSIVATED                |
| HOUSING               | ALUMINUM ALLOY, GUIDE OXYGEN Painted Black |

| REVISIONS |                 |          |          |
|-----------|-----------------|----------|----------|
| REV.      | DESCRIPTION     | DATE     | APPROVED |
| A         | INITIAL RELEASE | 10/25/24 | J. Q     |


| ENVIRONMENTAL DATA    |                                      |
|-----------------------|--------------------------------------|
| OPERATING TEMPERATURE | -30°C TO +70°C                       |
| RoHS COMPLIANT        | 2011/65/EU(RoHS) AND 2015/863/(RoHS) |
| REACH COMPLIANT       | 1907/2006/EC(REACH)                  |
| NET WEIGHT            | TBD                                  |



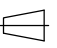

NOTE:  
 IN, OUT, OUT  
 FONT: ARIAL  
 WORD HEIGHT: 2.5MM  
 1, 2, PD5102, ANOISON  
 FONT: ROMAND  
 WORD HEIGHT: 2.0MM



|   |              |  |          |
|---|--------------|--|----------|
| DRAWN   | W. Y         | DATE   | 10/25/24 |
| CHECKED   | X. Y         | DATE   | 10/25/24 |
| APPROVED  | J. Q         | DATE   | 10/25/24 |
| UNLESS OTHERWISE SPECIFIED DIMENSIONS ARE IN MILLIMETERS, DIMENSIONS IN [ ] ARE IN INCHES FOR CUSTOMER REFERENCE ONLY UNLESS OTHERWISE SPECIFIED TOLERANCE ARE: |              | THESE DRAWINGS AND SPECIFICATIONS ARE THE PROPERTY OF ANOISON ELECTRONICS LTD AND SHOULD NOT BE USED WITHOUT WRITTEN PERMISSION COPYRIGHT © 2024 ANOISON ELECTRONICS LTD |          |
| XX  | ±0.30 [012"] |  |          |
| X   | ±0.40 [016"] |  |          |
| X   | ±0.50 [020"] |  |          |
| X*  | ±1°          |  |          |
| X*  | ±2°          |  |          |



TITLE  
 DC-18 GHz RESISTOR 2-WAY N POWER DIVIDER

VIEW  

|          |       |        |      |
|----------|-------|--------|------|
| PART NO. |       | PD5102 |      |
| SIZE     | SCALE | SHEET  | REV. |
| A3       | 2:1   | 1/1    | A    |