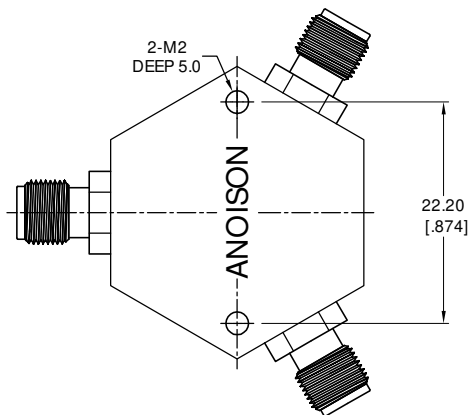
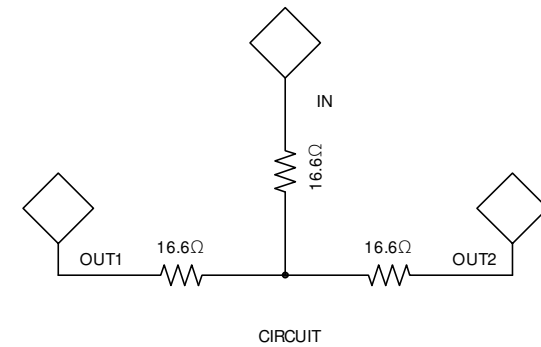
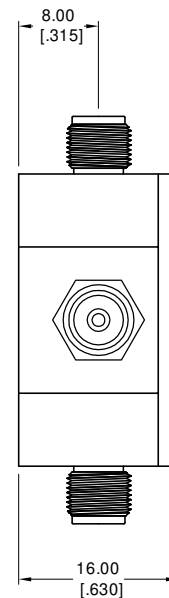
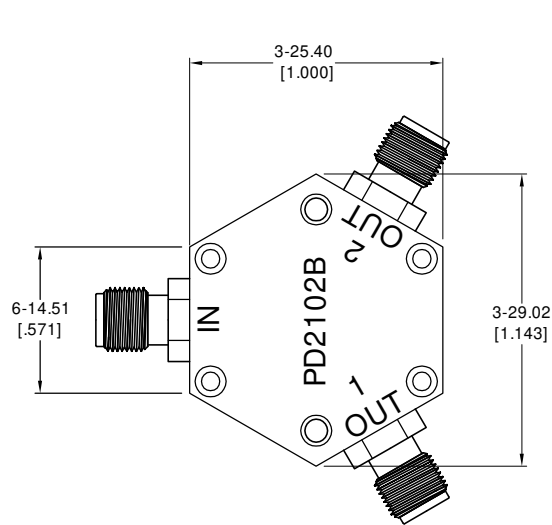


ELECTRICAL DATA	
NUMBER OF OUTPUT PORTS	2
FREQUENCY RANGE	DC~6 GHz
IMPEDANCE: 50 Ω	50 Ω
VSWR	≤1.20
INSERTION LOSS	≤6.0±0.6 dB
POWER HANDLING	1 W MAX.

MATERIAL AND FINISH	
CONNECTOR(SMA FEMALE)	STAINLESS STEEL, PASSIVATED
HOUSING	ALUMINUM ALLOY, GUSH ARENACEOUS GUIDE OXYGEN

ENVIRONMENTAL DATA	
OPERATING TEMPERATURE	-40°C TO +85°C
RoHS COMPLIANT	2011/65/EU(RoHS) AND 2015/863/(RoHS)
REACH COMPLIANT	1907/2006/EC(REACH)
NET WEIGHT	0.025 Kg

REVISIONS			
REV.	DESCRIPTION	DATE	APPROVED
A	INITIAL RELEASE	05/09/22	J QU



DRAWN	P. CHEN	DATE	05/09/22
CHECKED	X. B. YANG	DATE	05/09/22
APPROVED	J QU	DATE	05/09/22
UNLESS OTHERWISE SPECIFIED DIMENSIONS ARE IN MILLIMETERS, DIMENSIONS IN [] ARE IN INCHES FOR CUSTOMER REFERENCE ONLY UNLESS OTHERWISE SPECIFIED TOLERANCE ARE:		THESE DRAWINGS AND SPECIFICATIONS ARE THE PROPERTY OF ANOISON ELECTRONICS LTD AND SHOULD NOT BE USED WITHOUT WRITTEN PERMISSION COPYRIGHT © 2022 ANOISON ELECTRONICS LTD	
XX	±0.13 [005"]		
X	±0.20 [008"]		
X	±0.50 [019"]		
X"	±1°		
X"	±2°		



TITLE			
DC-6 GHz RESISTOR 2-WAY SMA POWER DIVIDER			
VIEW		PART NO.	
		PD2102B	
SIZE	SCALE	SHEET	REV.
A3	3:1	1/1	A