

MATERIAL & FINISH:

- 1 BODY: STAINLESS STEEL, PASSIVATED
- 2 CENTER CONTACT: BERYLLIUM COPPER ALLOY, GOLD PLATED
- 3 INSULATOR: PEI

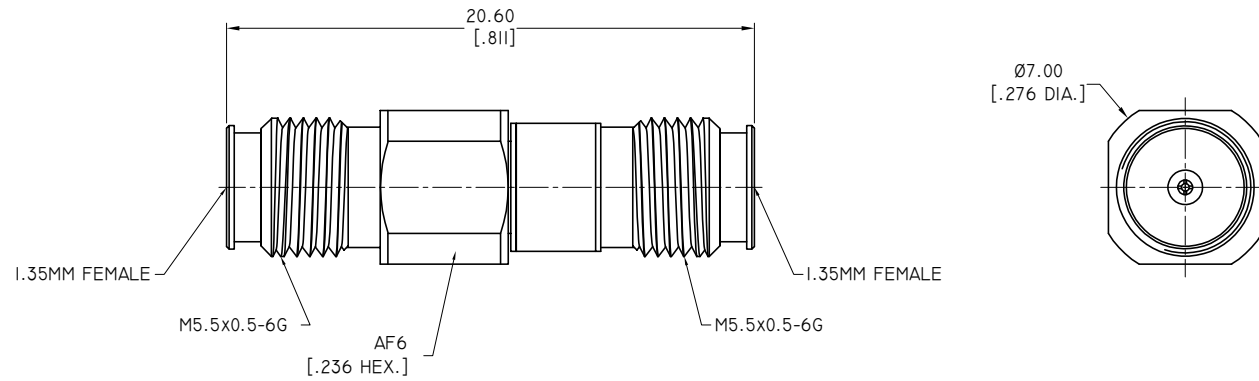
ELECTRICAL SPECIFICATIONS:

- 1 IMPEDANCE: 50 Ω
- 2 FREQUENCY RANGE: DC~90GHZ
- 3 VSWR: 1.10 MAX. DC-20 GHZ
1.25 MAX. 20 GHZ - 40 GHZ
1.35 MAX. 40 GHZ - 90 GHZ

ENVIRONMENTAL DATA:

- 1 TEMPERATURE RANGE: -55°C~+125°C
- 2 2011/65/EU (RoHS): COMPLIANT AND 2015/863/(RoHS): COMPLIANT
- 1999/45/EC(REACH): COMPLIANT

REVISIONS			
REV.	DESCRIPTION	DATE	APPROVED
A	INITIAL RELEASE	03/19/20	J. QU



DRAWN	W. YANG	DATE	03/19/20
CHECKED	X. B. YANG	DATE	03/19/20
APPROVED	J. QU	DATE	03/19/20
UNLESS OTHERWISE SPECIFIED DIMENSIONS ARE IN MILLINETERS, DIMENSIONS IN [] ARE IN INCHES FOR CUSTOMER REFERENCE ONLY UNLESS OTHERWISE SPECIFIED TOLERANCE ARE:		THESE DRAWINGS AND SPECIFICATIONS ARE THE PROPERTY OF ANOISON ELECTRONICS LTD AND SHOULD NOT BE USED WITHOUT WRITTEN PERMISSION COPYRIGHT © 2020 ANOISON ELECTRONICS LTD	
.XX	±0.13 [.005"]		
.X	±0.20 [.008"]		
X	±0.50 [.019"]		
.X°	±1°		
X°	±2°		



TITLE			
PRECISION ADAPTER, 1.35MM FEMALE TO 1.35MM FEMALE			
VIEW	PART NO.		
	PA8080C		
SIZE	SCALE	SHEET	REV.
A3	5:1	1/1	A