

4 3 2 1

REVISIONS			
REV.	DESCRIPTION	DATE	APPROVED
A	INITIAL RELEASE	03/02/21	J. QU

MATERIAL & FINISH:

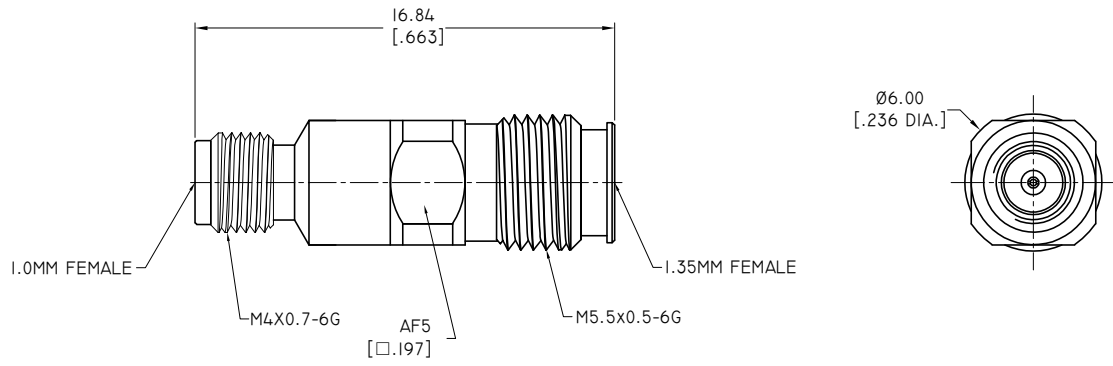
- 1 BODY: STAINLESS STEEL, PASSIVATED
- 2 CENTER CONTACT: BERYLLIUM COPPER ALLOY, GOLD PLATED
- 3 INSULATOR: PEI

ELECTRICAL SPECIFICATIONS:

- 1 IMPEDANCE: 50 Ω
- 2 FREQUENCY RANGE: DC~90GHZ
- 3 VSWR: 1.10 MAX. DC-20 GHZ
1.25 MAX. 20 GHZ - 40 GHZ
1.35 MAX. 40 GHZ - 90 GHZ

ENVIRONMENTAL DATA:

- 1 TEMPERATURE RANGE: -55°C~+125°C
- 2 2011/65/EU (RoHS): COMPLIANT AND 2015/863/(RoHS): COMPLIANT
1999/45/EC(REACH): COMPLIANT



DRAWN	W. YANG	DATE	03/02/21
CHECKED	X. B. YANG	DATE	03/02/21
APPROVED	J. QU	DATE	03/02/21
UNLESS OTHERWISE SPECIFIED DIMENSIONS ARE IN MILLIMETERS, DIMENSIONS IN [] ARE IN INCHES FOR CUSTOMER REFERENCE ONLY UNLESS OTHERWISE SPECIFIED TOLERANCE ARE:		THESE DRAWINGS AND SPECIFICATIONS ARE THE PROPERTY OF ANOISON ELECTRONICS LTD AND SHOULD NOT BE USED WITHOUT WRITTEN PERMISSION COPYRIGHT © 2021 ANOISON ELECTRONICS LTD	
.XX	±0.13 [0.005"]		
.X	±0.20 [0.008"]		
X	±0.50 [0.019"]		
X°	±1°		
X°	±2°		

TITLE
PRECISION ADAPTER, 1.0MM FEMALE TO 1.35MM FEMALE

PART NO.
PA7680C

VIEW		SIZE A3	SCALE 5:1	SHEET 1/1	REV. A
-------------	--	-------------------	---------------------	---------------------	------------------

D
C
B
A

D
C
B
A

4 3 2 1