

4

3

2

1

**MATERIAL & FINISH:**

- 1 BODY: STAINLESS STEEL, PASSIVATED
- 2 CENTER CONTACT: BERYLLIUM COPPER ALLOY, GOLD PLATED
- 3 INSULATOR: PEI
- 4 COUPLING NUT: STAINLESS STEEL, PASSIVATED

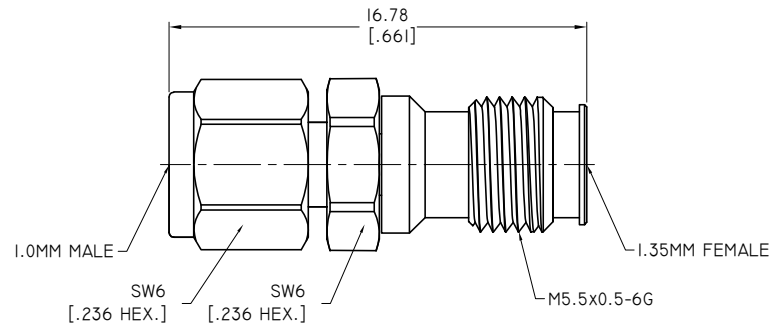
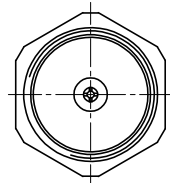
**ELECTRICAL SPECIFICATIONS:**

- 1 IMPEDANCE: 50 Ω
- 2 FREQUENCY RANGE: DC~90GHZ
- 3 VSWR: 1.10 MAX. DC-20 GHZ  
1.25 MAX. 20 GHZ - 40 GHZ  
1.35 MAX. 40 GHZ - 90 GHZ

**ENVIRONMENTAL DATA:**

- 1 TEMPERATURE RANGE: -55°C~+125°C
- 2 2011/65/EU (RoHS): COMPLIANT AND 2015/863/(RoHS): COMPLIANT  
1999/45/EC(REACH): COMPLIANT

REVISIONS			
REV.	DESCRIPTION	DATE	APPROVED
A	INITIAL RELEASE	07/22/21	J. QU



DRAWN	W. YANG	DATE	07/22/21
CHECKED	X. B. YANG	DATE	07/22/21
APPROVED	J. QU	DATE	07/22/21
UNLESS OTHERWISE SPECIFIED DIMENSIONS ARE IN MILLIMETERS, DIMENSIONS IN [ ] ARE IN INCHES FOR CUSTOMER REFERENCE ONLY UNLESS OTHERWISE SPECIFIED TOLERANCE ARE:		THESE DRAWINGS AND SPECIFICATIONS ARE THE PROPERTY OF ANOISON ELECTRONICS LTD AND SHOULD NOT BE USED WITHOUT WRITTEN PERMISSION COPYRIGHT © 2021 ANOISON ELECTRONICS LTD	
.XX	±0.13 [.005"]		
.X	±0.20 [.008"]		
X	±0.50 [.019"]		
X°	±1°		
X"	±2°		

**TITLE**  
PRECISION ADAPTER, 1.0MM MALE TO 1.35MM FEMALE

**VIEW**

**PART NO.** PA7680B

<b>SIZE</b> A3	<b>SCALE</b> 5:1	<b>SHEET</b> 1/1	<b>REV.</b> A
-------------------	---------------------	---------------------	------------------

D

C

B

A

D

C

B

A

4

3

2

1