

MATERIAL & FINISH:

1. BODY: STAINLESS STEEL, PASSIVATED
2. CENTER CONTACT: BERYLLIUM COPPER ALLOY, GOLD PLATED
3. INSULATOR: PEI

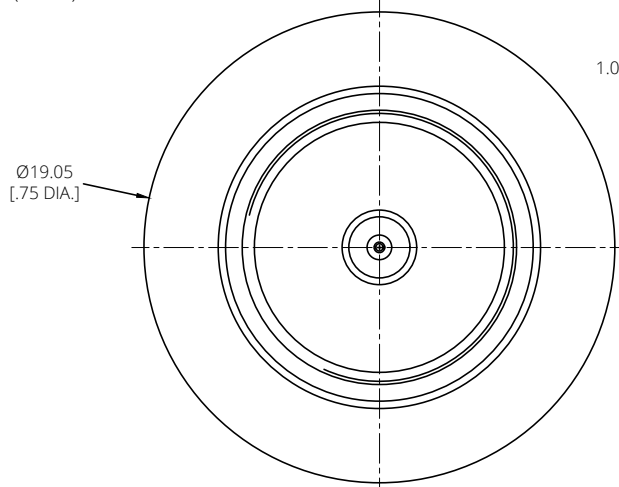
ENVIRONMENTAL DATA:

1. TEMPERATURE RANGE: -40°C~+125°C
2. 2011/65/EU(RoHS) AND 2015/863/(RoHS): COMPLIANT
3. 1999/45/EC(REACH): COMPLIANT

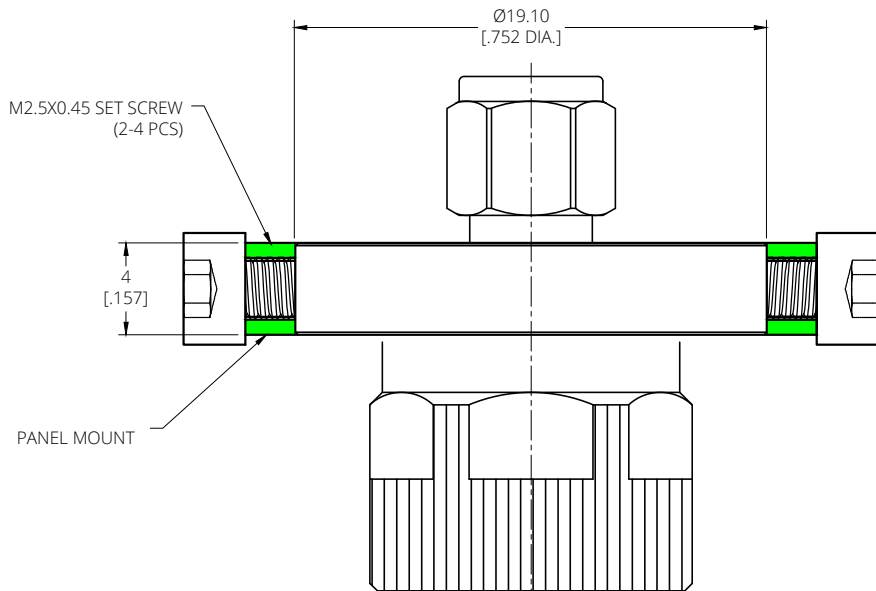
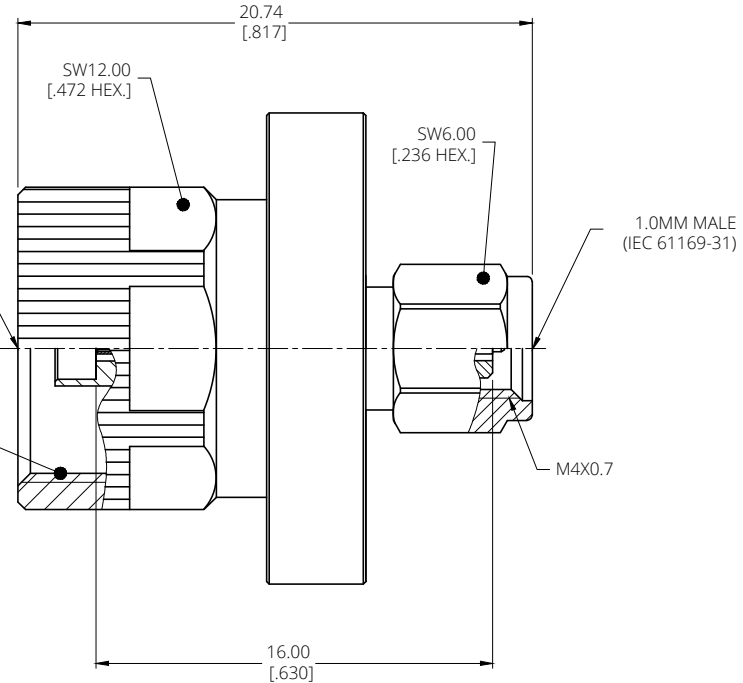
ELECTRICAL DATA:

1. IMPEDANCE: 50 OHMS
2. FREQUENCY RANGE: DC~110 GHz
3. VSWR: 1.40 MAX.
4. INSERTION LOSS: 1.0 DB MAX.

REVISIONS			
REV.	DESCRIPTION	DATE	APPROVED
A	INITIAL RELEASE	05/10/24	J. Q



1.0MM FEMALE RUGGEDIZED



DRAWN	W. Y	DATE	05/10/24
CHECKED	X. Y	DATE	05/10/24
APPROVED	J. Q	DATE	05/10/24
UNLESS OTHERWISE SPECIFIED DIMENSIONS ARE IN MILLIMETERS, DIMENSIONS IN [] ARE IN INCHES FOR CUSTOMER REFERENCE ONLY UNLESS OTHERWISE SPECIFIED TOLERANCE ARE:		THESE DRAWINGS AND SPECIFICATIONS ARE THE PROPERTY OF ANOISON ELECTRONICS LTD AND SHOULD NOT BE USED WITHOUT WRITTEN PERMISSION COPYRIGHT © 2024 ANOISON ELECTRONICS LTD	
XX	±0.13 [0.005"]		
X	±0.20 [0.008"]		
X	±0.50 [0.019"]		
X*	±1°		
X*	±2°		



TITLE ADAPTER, PANEL MOUNT, RUGGEDIZED 1.0MM FEMALE TO 1.0MM MALE			
VIEW 		PART NO. PA7676U	
SIZE A3	SCALE 5:1	SHEET 1/1	REV. A