

**MATERIAL & FINISH:**

- 1 BODY: STAINLESS STEEL, PASSIVATED
- 2 CENTER CONTACT: BERYLLIUM COPPER ALLOY, GOLD PLATED

**ENVIRONMENTAL DATA:**

- 1 STORAGE TEMPERATURE: -55°C ~ +125°C
- 2 OPERATING TEMPERATURE: 0°C ~ +85°C
- 3 2011/65/EU (RoHS) AND 2015/863/(RoHS): COMPLIANT
- 4 1907/2006/EC (REACH): COMPLIANT

**ELECTRICAL DATA:**

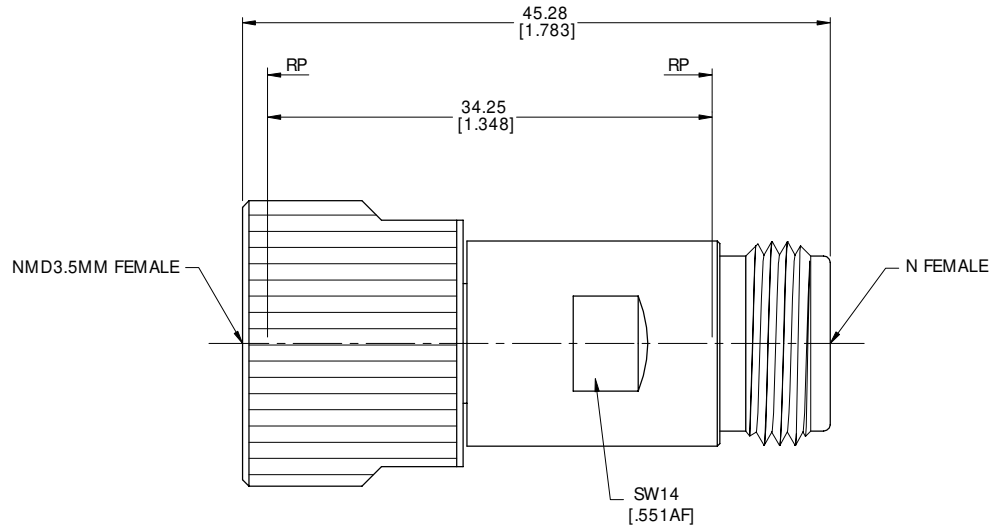
- 1 IMPEDANCE: 50 Ω
- 2 FREQUENCY RANGE: DC~18 GHz
- 3 VSWR: 1.15 MAX.
- 4 INSERTION LOSS: 0.19 dB MAX.

**MECHANICAL DATA:**

- 1 MECHANICAL DURABILITY: 2000 CYCLES MIN.
- 2 RECOMMENDED TORQUE:  
 NMD3.5MM FEMALE: 1.35~2 NM  
 N FEMALE: 1.35 NM

**REVISIONS**

REV.	DESCRIPTION	DATE	APPROVED
A	INITIAL RELEASE	05/14/15	J QU
B	DRAWING CHANGED	03/29/21	J QU
C	OUTLINE DRAWING CHANGED	11/10/21	J QU



DRAWN	X. B. YANG	DATE	11/10/21
CHECKED	W. YANG	DATE	11/10/21
APPROVED	J QU	DATE	11/10/21
UNLESS OTHERWISE SPECIFIED DIMENSIONS ARE IN MILLIMETERS, DIMENSIONS IN [ ] ARE IN INCHES FOR CUSTOMER REFERENCE ONLY UNLESS OTHERWISE SPECIFIED TOLERANCE ARE:		THESE DRAWINGS AND SPECIFICATIONS ARE THE PROPERTY OF ANOISON ELECTRONICS LTD AND SHOULD NOT BE USED WITHOUT WRITTEN PERMISSION COPYRIGHT © 2021 ANOISON ELECTRONICS LTD	
.XX	±0.13 [.005"]		
.X	±0.20 [.008"]		
X	±0.50 [.019"]		
.X°	±1°		
X°	±2°		



TITLE  
ADAPTER, NMD3.5MM FEMALE TO N FEMALE

VIEW	PART NO. PA7151C		
	SIZE A3	SCALE 2.5:1	SHEET 1/1
		REV. C	