

REVISIONS			
REV.	DESCRIPTION	DATE	APPROVED
A	INITIAL RELEASE	12/29/17	J. QU

MATERIAL & FINISH:

1. BODY: STAINLESS STEEL, PASSIVATED
2. CENTER CONTACT: BERYLLIUM COPPER ALLOY, GOLD PLATED
3. INSULATOR: PEI

ENVIRONMENTAL DATA:

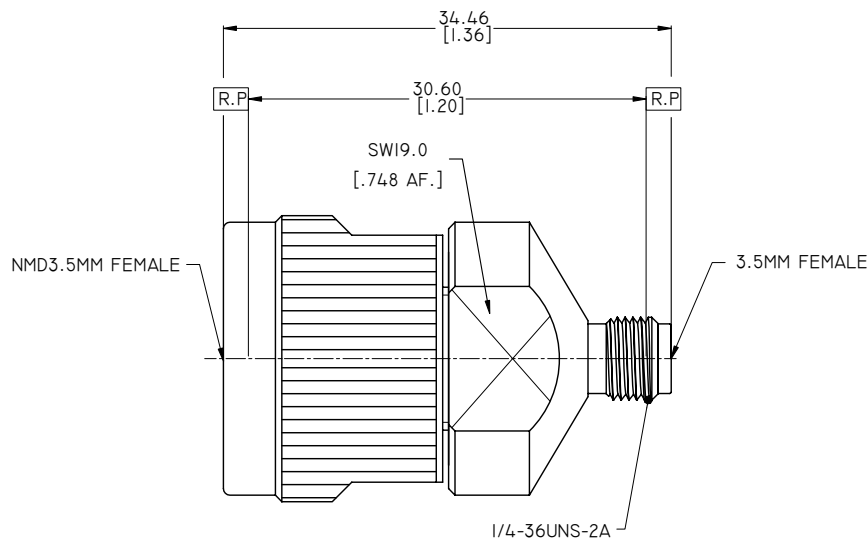
1. STORAGE TEMPERATURE: -55°C~+125°C
2. OPERATING TEMPERATURE: 0°C~+85°C
3. 2011/65/EU (RoHS): COMPLIANT

ELECTRICAL DATA:

1. IMPEDANCE: 50 Ω
2. FREQUENCY RANGE: DC~26.5 GHz
3. VSWR: 1.15 TYP.
4. INSERTION LOSS: 0.23 DB MAX.

MECHANICAL DATA:

1. MECHANICAL DURABILITY: 2000 CYCLES MIN.
2. RECOMMENDED TORQUE:
 - NMD3.5MM FEMALE: 1.35~2 NM
 - 3.5MM FEMALE: 0.9 NM



DRAWN	P. CHEN	DATE	12/29/17
CHECKED	X. B. YANG	DATE	12/29/17
APPROVED	J. QU	DATE	12/29/17

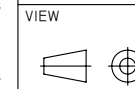
UNLESS OTHERWISE SPECIFIED DIMENSIONS ARE IN MILLIMETERS, DIMENSIONS IN [] ARE IN INCHES FOR CUSTOMER REFERENCE ONLY UNLESS OTHERWISE SPECIFIED TOLERANCE ARE:

.XX	±0.13 [.005"]
.X	±0.20 [.008"]
X	±0.50 [.019"]
.X°	±1°
X°	±2°

THESE DRAWINGS AND SPECIFICATIONS ARE THE PROPERTY OF ANOISON ELECTRONICS LTD AND SHOULD NOT BE USED WITHOUT WRITTEN PERMISSION COPYRIGHT © 2017 ANOISON ELECTRONICS LTD



TITLE
PRECISION ADAPTER, NMD3.5MM FEMALE TO 3.5MM FEMALE



PART NO.		PA7125C	
SIZE	SCALE	SHEET	REV.
A3	2.5:1	1/1	A