

MATERIAL & FINISH:

- 1 BODY: STAINLESS STEEL, PASSIVATED
- 2 CENTER CONTACT: BERYLLIUM COPPER ALLOY, GOLD PLATED

MECHANICAL DATA:

- 1 MECHANICAL DURABILITY: 2000 CYCLES MIN.
- 2 RECOMMENDED TORQUE:
 - NMD1.85MM FEMALE: 1.35-2 NM
 - NMD1.85MM MALE: 1.35-2 NM

ELECTRICAL DATA:

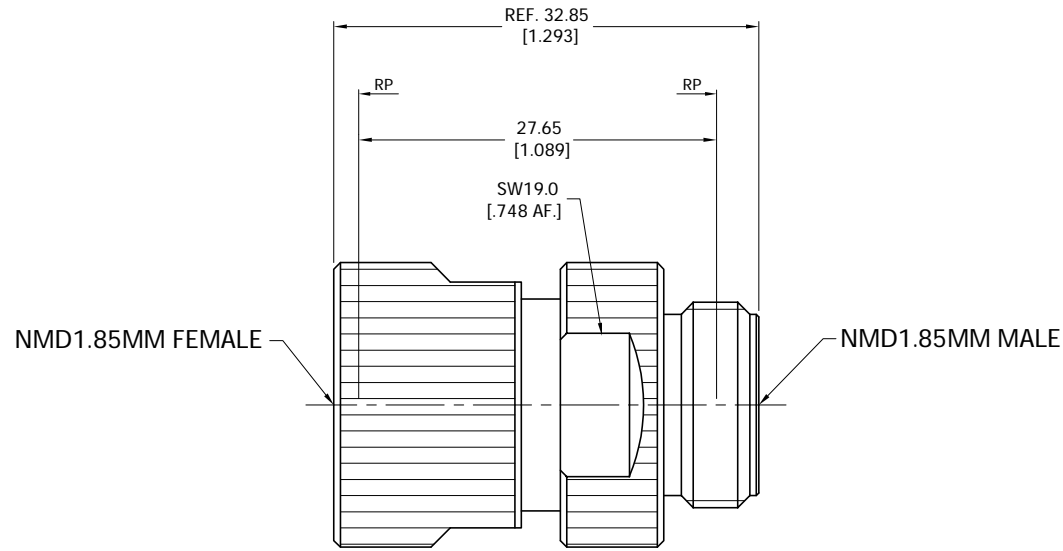
- 1 IMPEDANCE: 50 Ω
- 2 FREQUENCY RANGE: DC-67 GHz
- 3 VSWR: 1.35 MAX.
- 4 INSERTION LOSS: 0.52 dB MAX.


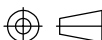
ENVIRONMENTAL DATA:

- 1 STORAGE TEMPERATURE: -55°C~+125°C
- 2 OPERATING TEMPERATURE: 0°C~+85°C
- 3 2011/65/EU(RoHS) AND 2015/863/(RoHS): COMPLIANT
- 4 1999/45/EC(REACH): COMPLIANT

REVISIONS

REV.	DESCRIPTION	DATE	APPROVED
A	INITIAL RELEASE	05/14/15	J. Q
B	OUTLINE DRAWING CHANGED	04/17/25	J. Q



DRAWN	X. Y	DATE	04/17/25			
CHECKED	W. Y	DATE	04/17/25			
APPROVED	J. Q	DATE	04/17/25			
UNLESS OTHERWISE SPECIFIED DIMENSIONS ARE IN MILLIMETERS. DIMENSIONS IN [] ARE IN INCHES FOR CUSTOMER REFERENCE ONLY UNLESS OTHERWISE SPECIFIED TOLERANCE ARE:		THESE DRAWINGS AND SPECIFICATIONS ARE THE PROPERTY OF ANOISON ELECTRONICS LTD AND SHOULD NOT BE USED WITHOUT WRITTEN PERMISSION COPYRIGHT © 2025 ANOISON ELECTRONICS LTD				
	.XX	±0.13 [.005"]	 ANOISON			
	.X	±0.20 [.008"]				
	X	±0.50 [.019"]				
	.X°	±1°				
	X°	±2°				
TITLE		ADAPTER, NMD1.85MM FEMALE TO NMD1.85MM MALE				
VIEW						
PART NO.		PA6969B				
SIZE	A3	SCALE	2.5:1	SHEET	1/1	
REV.	B					