

4

3

2

1

MATERIAL & FINISH:

- 1 BODY: STAINLESS STEEL, PASSIVATED
- 2 CENTER CONTACT: BERYLLIUM COPPER ALLOY, GOLD PLATED
- 3 INSULATOR: PEEK

ELECTRICAL DATA:

- 1 IMPEDANCE: 50 Ω
- 2 FREQUENCY RANGE: DC~67 GHz
- 3 VSWR: 1.35 MAX.

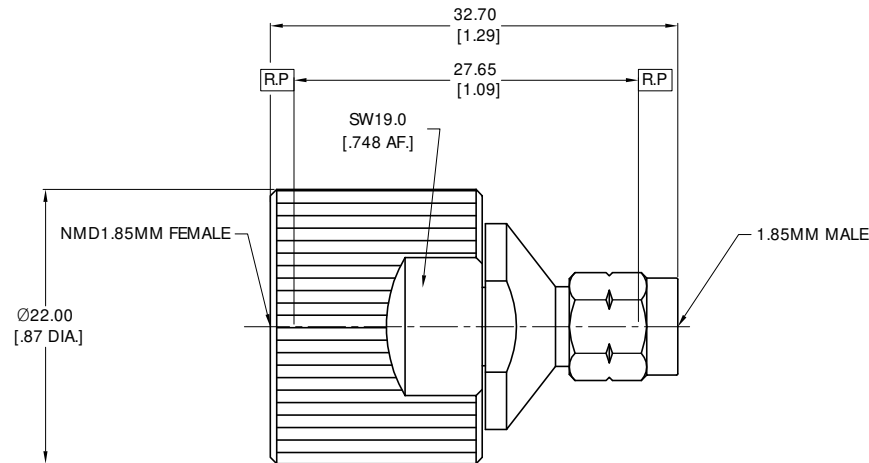
ENVIRONMENTAL DATA:

- 1 TEMPERATURE RANGE: -55°C~+165°C
- 2 OPERATING TEMPERATURE: 0°C~+85°C
- 3 2011/65/EU(RoHS) AND 2015/863/(RoHS): COMPLIANT
- 4 1999/45/EC(REACH): COMPLIANT


MECHANICAL DATA:

- 1 MECHANICAL DURABILITY: 2000 CYCLES MIN.
- 2 RECOMMENDED TORQUE:
NMD1.85MM FEMALE: 1.35~2 NM
1.85MM MALE: 0.9 NM

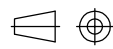
REVISIONS			
REV.	DESCRIPTION	DATE	APPROVED
A	INITIAL RELEASE	09/05/18	J QU
B	CHANGED DRAWINGS	10/09/20	J QU



DRAWN	P. CHEN	DATE	10/09/20
CHECKED	X. B. YANG	DATE	10/09/20
APPROVED	J QU	DATE	10/09/20
UNLESS OTHERWISE SPECIFIED DIMENSIONS ARE IN MILLIMETERS, DIMENSIONS IN [] ARE IN INCHES FOR CUSTOMER REFERENCE ONLY UNLESS OTHERWISE SPECIFIED TOLERANCE ARE:		THESE DRAWINGS AND SPECIFICATIONS ARE THE PROPERTY OF ANOISON ELECTRONICS LTD AND SHOULD NOT BE USED WITHOUT WRITTEN PERMISSION COPYRIGHT © 2020 ANOISON ELECTRONICS LTD	
.XX	±0.13 [.005"]		
.X	±0.20 [.008"]		
X	±0.50 [.019"]		
.X°	±1°		
X°	±2°		



TITLE
PRECISION ADAPTER
NMD1.85 FEMALE TO 1.85 MALE

VIEW 

PART NO. PA6962D			
SIZE A3	SCALE 2.5:1	SHEET 1/1	REV. B

4

3

2

1