

4

3

2

1

MATERIAL & FINISH:

- 1 BODY: STAINLESS STEEL, PASSIVATED
- 2 CENTER CONTACT: BERYLLIUM COPPER ALLOY, GOLD PLATED
- 3 INSULATOR: PEI

ELECTRICAL DATA:

- 1 IMPEDANCE: 50 Ω
- 2 FREQUENCY RANGE: DC~40 GHz
- 3 VSWR: 1.20 MAX.

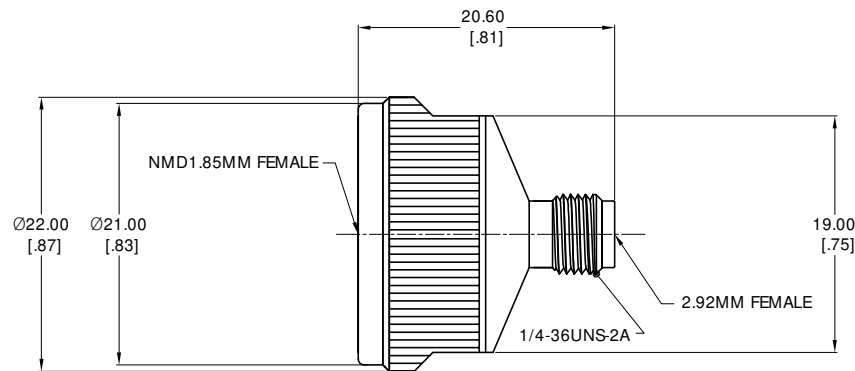
MECHANICAL DATA:

- 1 MECHANICAL DURABILITY: 1000 CYCLES
- 2 RECOMMENDED TORQUE: 0.8~1.1 NM

ENVIRONMENTAL DATA:

- 1 STORAGE TEMPERATURE: -55 °C~+125 °C
- 2 OPERATING TEMPERATURE: 0 °C~+85 °C
- 3 2011/65/EU(RoHS) AND 2015/863/(RoHS): COMPLIANT
- 4 1999/45/EC(REACH): COMPLIANT

REVISIONS			
REV.	DESCRIPTION	DATE	APPROVED
A	INITIAL RELEASE	07/22/20	J QU



DRAWN	P. CHEN	DATE	07/22/20
CHECKED	X. B. YANG	DATE	07/22/20
APPROVED	J QU	DATE	07/22/20
UNLESS OTHERWISE SPECIFIED DIMENSIONS ARE IN MILLIMETERS, DIMENSIONS IN [] ARE IN INCHES FOR CUSTOMER REFERENCE ONLY UNLESS OTHERWISE SPECIFIED TOLERANCE ARE:		THESE DRAWINGS AND SPECIFICATIONS ARE THE PROPERTY OF ANOISON ELECTRONICS LTD AND SHOULD NOT BE USED WITHOUT WRITTEN PERMISSION COPYRIGHT © 2020 ANOISON ELECTRONICS LTD	
XX	±0.13 [0.005"]		
.X	±0.20 [0.008"]		
X	±0.50 [0.019"]		
.X°	±1°		
X°	±2°		



TITLE			
PRECISION ADAPTER NMD1.85MM FEMALE TO 2.92MM FEMALE			
VIEW	PART NO.		
	PA6929CA		
SIZE	SCALE	SHEET	REV.
A3	2.5:1	1/1	A

4

3

2

1