

4

3

2

1

MATERIAL & FINISH:

- 1 BODY: STAINLESS STEEL, PASSIVATED
- 2 CENTER CONTACT: BERYLLIUM COPPER ALLOY, GOLD PLATED
- 3 INSULATOR: PEI

ELECTRICAL DATA:

- 1 IMPEDANCE: 50 Ω
- 2 FREQUENCY RANGE: DC~50 GHz
- 3 VSWR: 1.25 MAX.
- 4 INSERTION LOSS: .07*√F(GHZ) DB

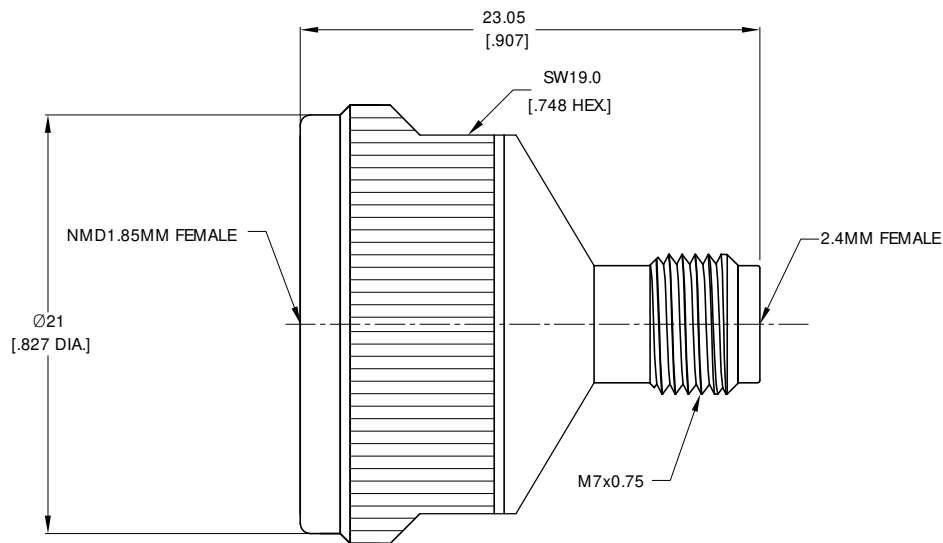
MECHANICAL:

- 1 MECHANICAL DURABILITY: 1000 CYCLES
- 2 RECOMMENDED TORQUE:
 - NMD1.85MM FEMALE: 1.35~2 NM
 - 2.4MM FEMALE: 0.9 NM

ENVIRONMENTAL DATA:

- 1 STORAGE TEMPERATURE: -55 °C~+125 °C
- 2 OPERATING TEMPERATURE: 0 °C~+85 °C
- 3 2011/65/EU (RoHS) AND 2015/863/(RoHS): COMPLIANT
- 4 1999/45/EC (REACH): COMPLIANT

REVISIONS			
REV.	DESCRIPTION	DATE	APPROVED
A	INITIAL RELEASE	05/25/21	J QU



DRAWN	P. CHEN	DATE	05/25/21
CHECKED	X. B. YANG	DATE	05/25/21
APPROVED	J QU	DATE	05/25/21
UNLESS OTHERWISE SPECIFIED DIMENSIONS ARE IN MILLIMETERS, DIMENSIONS IN [] ARE IN INCHES FOR CUSTOMER REFERENCE ONLY UNLESS OTHERWISE SPECIFIED TOLERANCE ARE:		THESE DRAWINGS AND SPECIFICATIONS ARE THE PROPERTY OF ANOISON ELECTRONICS LTD AND SHOULD NOT BE USED WITHOUT WRITTEN PERMISSION COPYRIGHT © 2021 ANOISON ELECTRONICS LTD	
.XX	±0.13 [.005"]		
.X	±0.20 [.008"]		
X	±0.50 [.019"]		
.X°	±1°		
X°	±2°		



TITLE PRECISION ADAPTER NMD1.85MM FEMALE TO 2.4MM FEMALE			
VIEW	PART NO. PA6922CA		
SIZE A3	SCALE 4:1	SHEET 1/1	REV. A

4

3

2

1