

**MATERIAL & FINISH:**

1. BODY: STAINLESS STEEL, PASSIVATED
2. CENTER CONTACT: BERYLLIUM COPPER ALLOY, GOLD PLATED

**ENVIRONMENTAL DATA:**

1. STORAGE TEMPERATURE: -55°C~+125°C
2. OPERATING TEMPERATURE: 0°C~+85°C
3. 2011/65/EU (RoHS): COMPLIANT

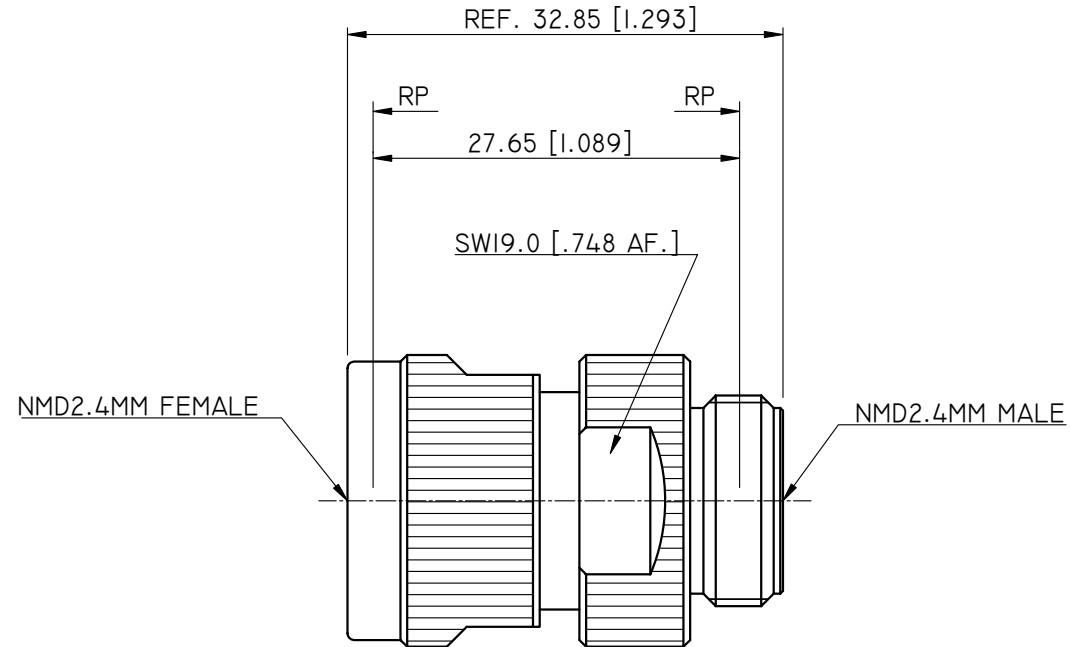
**ELECTRICAL DATA:**

1. IMPEDANCE: 50 Ω
2. FREQUENCY RANGE: DC~50 GHz
3. VSWR: 1.25 MAX.
4. INSERTION LOSS: 0.40 DB MAX.

**MECHANICAL DATA:**

1. MECHANICAL DURABILITY: 2000 CYCLES MIN.
2. RECOMMENDED TORQUE:  
 NMD2.4MM FEMALE: 1.35~2 NM  
 NMD2.4MM MALE: 1.35~2 NM

REVISIONS			
REV.	DESCRIPTION	DATE	APPROVED
A	INITIAL RELEASE	05/14/15	J. QU



DRAWN X. B. YANG	DATE 05/14/15			
CHECKED L. YANG	DATE 05/14/15			
APPROVED J. QU	DATE 05/14/15			
UNLESS OTHERWISE SPECIFIED DIMENSIONS ARE IN MILLIMETERS, DIMENSIONS IN [ ] ARE IN INCHES FOR CUSTOMER REFERENCE ONLY UNLESS OTHERWISE SPECIFIED TOLERANCE ARE: .XX ±0.13 [.005"] .X ±0.20 [.008"] X ±0.50 [.019"] .X° ±1° X° ±2°		THESE DRAWINGS AND SPECIFICATIONS ARE THE PROPERTY OF ANOISON ELECTRONICS LTD AND SHOULD NOT BE USED WITHOUT WRITTEN PERMISSION COPYRIGHT © 2015 ANOISON ELECTRONICS LTD		
TITLE ADAPTER, NMD2.4MM FEMALE TO NMD2.4MM MALE		VIEW 	PART NO. PA6868B	
SIZE A3	SCALE 2.5:1	SHEET 1/1	REV. A	