

4

3

2

1

MATERIAL & FINISH:

- 1 BODY: STAINLESS STEEL, PASSIVATED
- 2 CENTER CONTACT: BERYLLIUM COPPER ALLOY, GOLD PLATED
- 3 COUPLING NUT: STAINLESS STEEL, PASSIVATED
- 4 INSULATOR: PEI

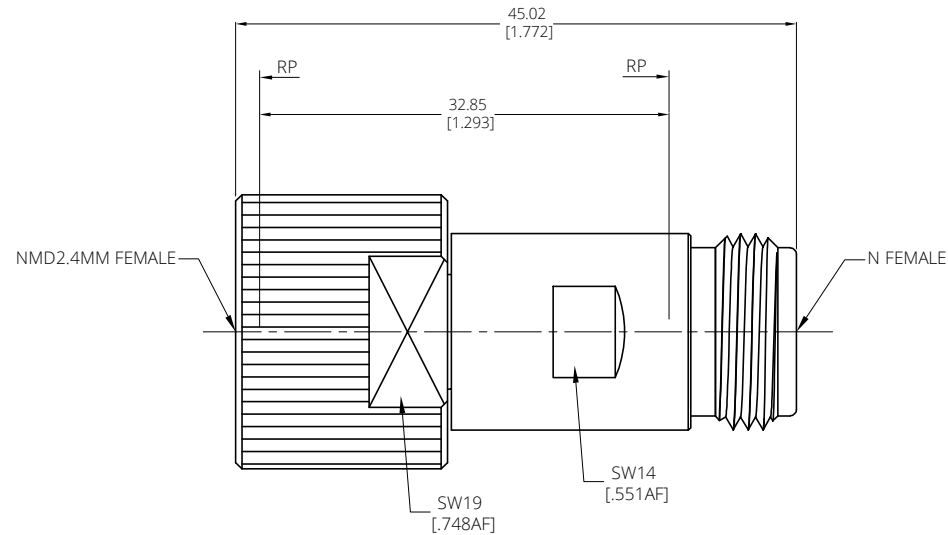
ELECTRICAL DATA:

- 1 IMPEDANCE: 50 Ω
- 2 FREQUENCY RANGE: DC~18 GHz
- 3 VSWR: 1.15 MAX.

ENVIRONMENTAL DATA:

- 1 TEMPERATURE RANGE: -55°C~+125°C
- 2 2011/65/EU(RoHS) AND 2015/863/(RoHS): COMPLIANT
- 3 1999/2006/EC(REACH): COMPLIANT

| REVISIONS | | | |
|-----------|-----------------|----------|----------|
| REV. | DESCRIPTION | DATE | APPROVED |
| A | INITIAL RELEASE | 10/13/23 | J. Q |
| | | | |



D

C

B

A

D

C

B

A

| | | | |
|---|---------------|--|----------|
| DRAWN | W. Y | DATE | 10/13/23 |
| CHECKED | X. Y | DATE | 10/13/23 |
| APPROVED | J. Q | DATE | 10/13/23 |
| UNLESS OTHERWISE SPECIFIED DIMENSIONS ARE IN MILLIMETERS, DIMENSIONS IN [] ARE IN INCHES FOR CUSTOMER REFERENCE ONLY UNLESS OTHERWISE SPECIFIED TOLERANCE ARE: | | THESE DRAWINGS AND SPECIFICATIONS ARE THE PROPERTY OF ANOISON ELECTRONICS LTD AND SHOULD NOT BE USED WITHOUT WRITTEN PERMISSION COPYRIGHT © 2023 ANOISON ELECTRONICS LTD | |
| XX | ±0.13 [.005"] | | |
| X | ±0.20 [.008"] | | |
| x | ±0.50 [.019"] | | |
| x° | ±1° | | |
| x° | ±2° | | |



| | | | |
|--|------------------|-----------|-----------|
| TITLE | | | |
| PRECISION ADAPTER, NMD2.4MM FEMALE TO N FEMALE | | | |
| VIEW | PART NO. PA6851C | | |
| | SIZE A3 | SCALE 4:1 | SHEET 1/1 |
| | | | REV. A |

4

3

2

1