

4

3

2

1

## MATERIAL &amp; FINISH:

1. BODY: STAINLESS STEEL, PASSIVATED
2. CENTER CONTACT: BERYLLIUM COPPER ALLOY, GOLD PLATED
3. INSULATOR: PEI

## ENVIRONMENTAL DATA:

1. STORAGE TEMPERATURE: -55°C~+125°C
2. OPERATING TEMPERATURE: 0°C~+85°C
3. 2011/65/EU (RoHS): COMPLIANT

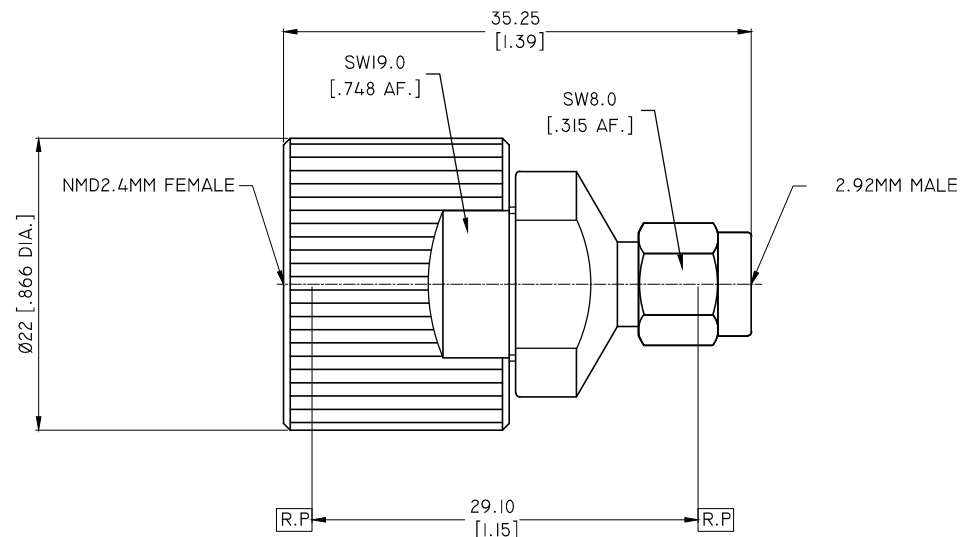
## ELECTRICAL DATA:

1. IMPEDANCE: 50 Ω
2. FREQUENCY RANGE: DC~4.0 GHZ
3. VSWR: 1.20 TYP.
4. INSERTION LOSS: 0.40 DB MAX.

## MECHANICAL DATA:

1. MECHANICAL DURABILITY: 2000 CYCLES MIN.
2. RECOMMENDED TORQUE:  
NMD2.4MM FEMALE: 0.9 NM  
2.92MM MALE: 0.9 NM

REVISIONS			
REV.	DESCRIPTION	DATE	APPROVED
A	INITIAL RELEASE	01/26/19	J. QU



DRAWN	W. YANG	DATE	01/26/19
CHECKED	X. B. YANG	DATE	01/26/19
APPROVED	J. QU	DATE	01/26/19
UNLESS OTHERWISE SPECIFIED DIMENSIONS ARE IN MILLIMETERS. DIMENSIONS IN [ ] ARE IN INCHES FOR CUSTOMER REFERENCE ONLY UNLESS OTHERWISE SPECIFIED TOLERANCE ARE:		THESE DRAWINGS AND SPECIFICATIONS ARE THE PROPERTY OF ANOISON ELECTRONICS LTD AND SHOULD NOT BE USED WITHOUT WRITTEN PERMISSION COPYRIGHT © 2019 ANOISON ELECTRONICS LTD	
.XX	±0.13 [ .005" ]		
.X	±0.20 [ .008" ]		
X	±0.50 [ .019" ]		
.X°	±1°		
X°	±2°		



TITLE  
PRECISION ADAPTER, NMD2.4MM FEMALE TO 2.92MM MALE

VIEW	PART NO. PA6829D		
SIZE A3	SCALE 2.5:1	SHEET 1/1	REV. A