

4

3

2

1

MATERIAL & FINISH:

- 1. BODY: STAINLESS STEEL, PASSIVATED
- 2. CENTER CONTACT: BERYLLIUM COPPER ALLOY, GOLD PLATED
- 3. INSULATOR: PEI

ENVIRONMENTAL DATA:

- 1. STORAGE TEMPERATURE: -55°C~+125°C
- 2. OPERATING TEMPERATURE: 0°C~+85°C
- 3. 2011/65/EU (RoHS): COMPLIANT

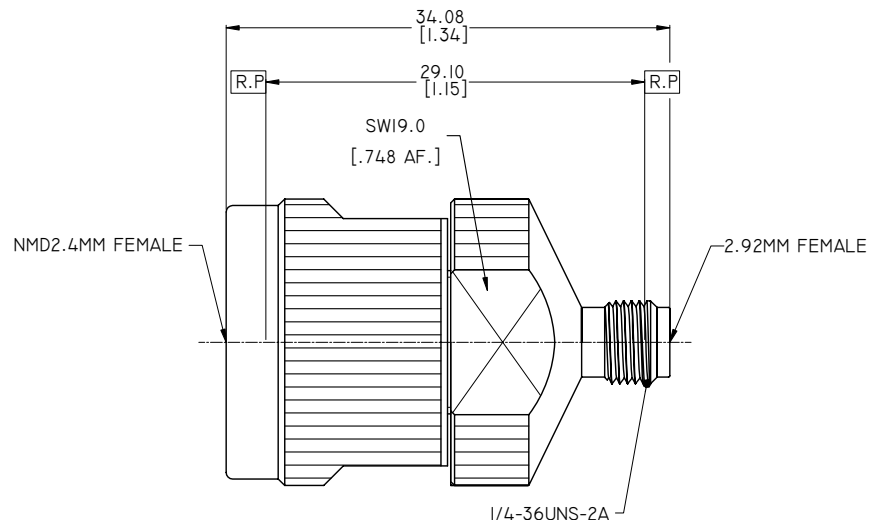
ELECTRICAL DATA:

- 1. IMPEDANCE: 50 Ω
- 2. FREQUENCY RANGE: DC~40 GHZ
- 3. VSWR: 1.20 TYP.
- 4. INSERTION LOSS: 0.36 DB MAX.

MECHANICAL DATA:

- 1. MECHANICAL DURABILITY: 2000 CYCLES MIN.
- 2. RECOMMENDED TORQUE:
 - NMD2.4MM FEMALE: 1.35~2 NM
 - 2.92MM FEMALE: 0.9 NM

REVISIONS			
REV.	DESCRIPTION	DATE	APPROVED
A	INITIAL RELEASE	12/28/17	J. QU



DRAWN	P. CHEN	DATE	12/28/17
CHECKED	X. B. YANG	DATE	12/28/17
APPROVED	J. QU	DATE	12/28/17



UNLESS OTHERWISE SPECIFIED DIMENSIONS ARE IN MILLIMETERS, DIMENSIONS IN [] ARE IN INCHES FOR CUSTOMER REFERENCE ONLY UNLESS OTHERWISE SPECIFIED TOLERANCE ARE:

.XX	±0.13 [.005"]
.X	±0.20 [.008"]
X	±0.50 [.019"]
.X°	±1°
X°	±2°

THESE DRAWINGS AND SPECIFICATIONS ARE THE PROPERTY OF ANOISON ELECTRONICS LTD AND SHOULD NOT BE USED WITHOUT WRITTEN PERMISSION COPYRIGHT © 2017 ANOISON ELECTRONICS LTD

TITLE
PRECISION ADAPTER, NMD2.4MM FEMALE TO 2.92MM FEMALE

VIEW	PART NO. PA6829C			
	SIZE A3	SCALE 2.5:1	SHEET 1/1	REV. A

4

3

2

1