

4

3

2

1

**MATERIAL & FINISH:**

- 1 BODY: STAINLESS STEEL, PASSIVATED
- 2 CENTER CONTACT: BERYLLIUM COPPER ALLOY, GOLD PLATED
- 3 INSULATOR: PEI

**ELECTRICAL DATA:**

- 1 IMPEDANCE: 50 Ω
- 2 FREQUENCY RANGE: DC~50 GHz
- 3 VSWR: 1.20 MAX.

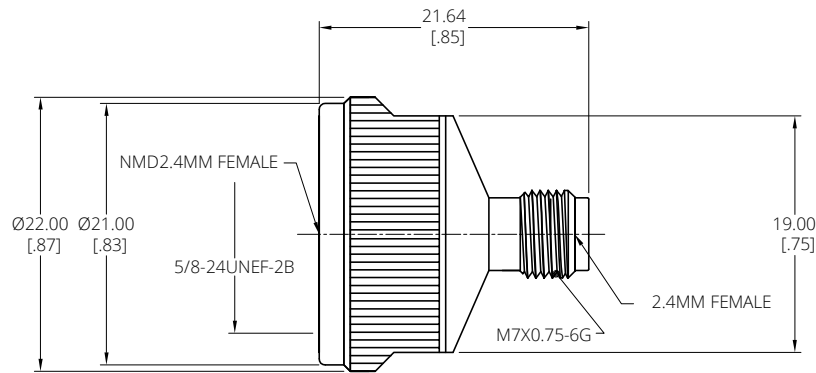
**MECHANICAL DATA:**

- 1 MECHANICAL DURABILITY: 1000 CYCLES
- 2 RECOMMENDED TORQUE: 0.8~1.1 NM


**ENVIRONMENTAL DATA:**

- 1 STORAGE TEMPERATURE: -55°C~+125°C
- 2 OPERATING TEMPERATURE: 0°C~+85°C
- 3 2011/65/EU(RoHS) AND 2015/863/(RoHS): COMPLIANT
- 4 1999/45/EC(REACH): COMPLIANT

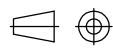
REVISIONS			
REV.	DESCRIPTION	DATE	APPROVED
A	INITIAL RELEASE	01/25/21	J. QU



DRAWN	L. YANG	DATE	02/26/21
CHECKED	X. B. YANG	DATE	02/26/21
APPROVED	J. QU	DATE	02/26/21
UNLESS OTHERWISE SPECIFIED DIMENSIONS ARE IN MILLIMETERS, DIMENSIONS IN [ ] ARE IN INCHES FOR CUSTOMER REFERENCE ONLY UNLESS OTHERWISE SPECIFIED TOLERANCE ARE:		THESE DRAWINGS AND SPECIFICATIONS ARE THE PROPERTY OF ANOISON ELECTRONICS LTD AND SHOULD NOT BE USED WITHOUT WRITTEN PERMISSION COPYRIGHT © 2021 ANOISON ELECTRONICS LTD	
.XX	±0.13 [.005"]		
.X	±0.20 [.008"]		
X	±0.50 [.019"]		
.X°	±1°		
.X°	±2°		



**TITLE**  
PRECISION ADAPTER  
NMD2.4MM FEMALE TO 2.4MM FEMALE

**VIEW** 

<b>PART NO.</b> PA6822CA			
<b>SIZE</b> A3	<b>SCALE</b> 2.5:1	<b>SHEET</b> 1/1	<b>REV.</b> A

4

3

2

1