

MATERIAL & FINISH:

- 1 BODY: STAINLESS STEEL, PASSIVATED
- 2 CENTER CONTACT: BERYLLIUM COPPER, GOLD PLATED
- 3 INSULATOR: PEI
- 4 COUPLING NUT: STAINLESS STEEL, PASSIVATED

ELECTRICAL DATA:

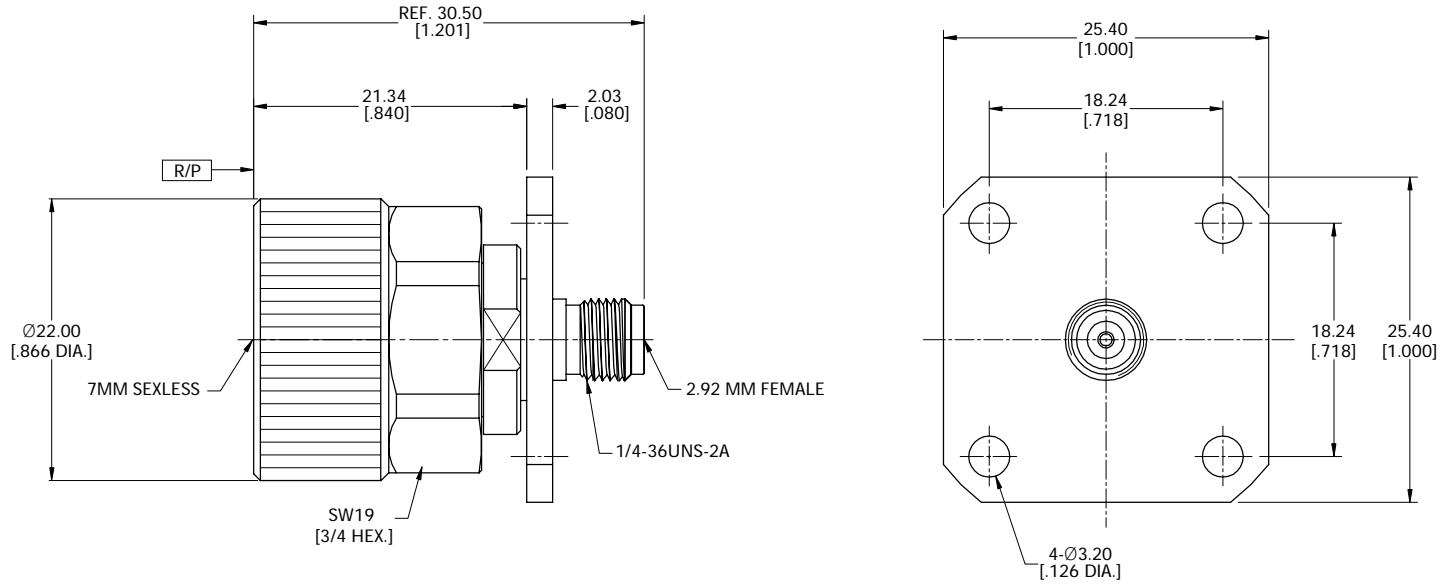
- 1 IMPEDANCE: 50 Ω
- 2 FREQUENCY RANGE: DC-18 GHz
- 3 VSWR: 1.08 TYPICAL / 1.15 MAX.

ENVIRONMENTAL DATA:

- 1 TEMPERATURE RANGE: -55°C ~ +125°C
- 2 2011/65/EU(RoHS) AND 2015/863/(RoHS): COMPLIANT
- 3 1907/2006/EC(REACH): COMPLIANT

REVISIONS

REV.	DESCRIPTION	DATE	APPROVED
A	INITIAL RELEASE	12/29/23	J. Q
B	VSWR 1.08 TYPICAL ADDED	01/04/24	J. Q



DRAWN	X. Y	DATE	01/04/24	
CHECKED	W. Y	DATE	01/04/24	
APPROVED	J. Q	DATE	01/04/24	
UNLESS OTHERWISE SPECIFIED DIMENSIONS ARE IN MILLIMETERS, DIMENSIONS IN [] ARE IN INCHES FOR CUSTOMER REFERENCE ONLY UNLESS OTHERWISE SPECIFIED TOLERANCE ARE:		THESE DRAWINGS AND SPECIFICATIONS ARE THE PROPERTY OF ANOISON ELECTRONICS LTD AND SHOULD NOT BE USED WITHOUT WRITTEN PERMISSION COPYRIGHT © 2024 ANOISON ELECTRONICS LTD		
	XX	±0.13 [.005"]		
	X	±0.20 [.008"]		
	X	±0.50 [.019"]		
	X°	±1°		
	X°	±2°		
VIEW		TITLE		
		ADAPTER, 7MM SEXLESS TO 2.92MM FEMALE		
PART NO.		PA6529B		
SIZE	SCALE	SHEET	REV.	
A3	2.5:1	1/1	B	