

4

3

2

1

MATERIAL & FINISH:

- 1 BODY: STAINLESS STEEL, PASSIVATED
- 2 CENTER CONTACT: BERYLLIUM COPPER ALLOY, GOLD PLATED
- 3 COUPLING NUT: STAINLESS STEEL, PASSIVATED
- 4 INSULATOR: PEI

MECHANICAL DATA:

- 1 MECHANICAL DURABILITY: 1000 CYCLES
- 2 RECOMMENDED TORQUE:
NMD2.92MM MALE: 1.35~2 NM
2.92MM FEMALE: 0.9 NM

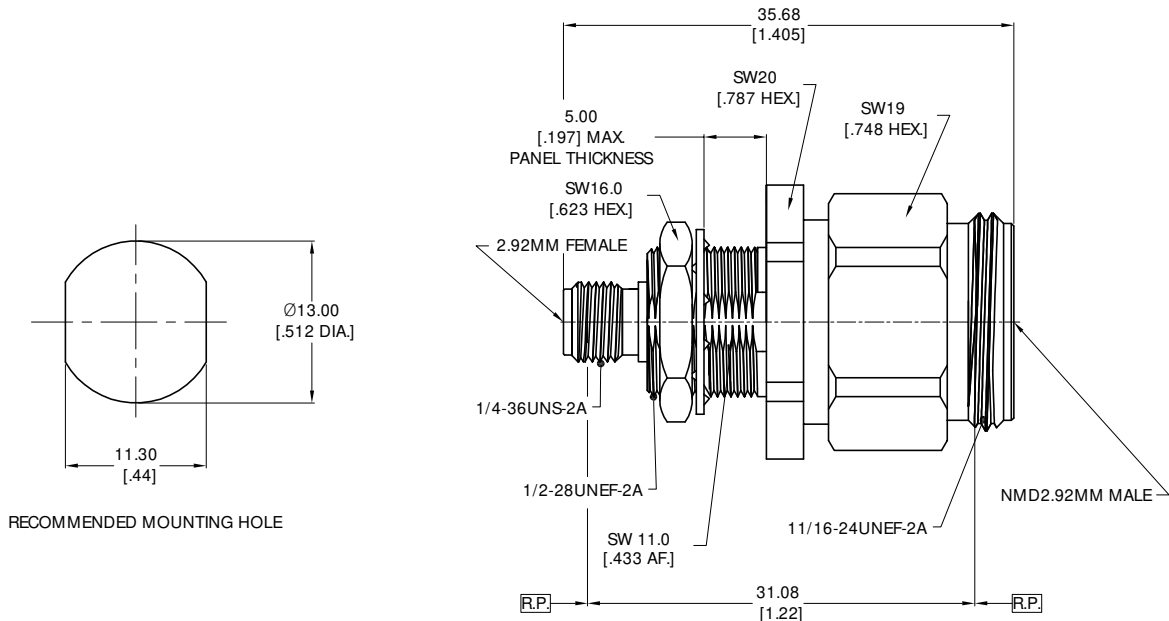
ELECTRICAL DATA:

- 1 IMPEDANCE: 50 Ω
- 2 FREQUENCY RANGE: DC~40 GHz
- 3 VSWR: 1.25 MAX.

ENVIRONMENTAL DATA:

- 1 TEMPERATURE RANGE: -55 °C~+165 °C
- 2 2011/65/EU (RoHS) AND 2015/863/(RoHS): COMPLIANT
- 3 1999/45/EC (REACH): COMPLIANT

REVISIONS			
REV.	DESCRIPTION	DATE	APPROVED
A	INITIAL RELEASE	04/02/21	J QU
B	35.68 WAS 36.61	04/07/21	J QU
C	SW20 WAS SW21	04/26/21	J QU



DRAWN	P. CHEN	DATE	04/26/21
CHECKED	X. B. YANG	DATE	04/26/21
APPROVED	J QU	DATE	04/26/21
UNLESS OTHERWISE SPECIFIED DIMENSIONS ARE IN MILLIMETERS, DIMENSIONS IN [] ARE IN INCHES FOR CUSTOMER REFERENCE ONLY UNLESS OTHERWISE SPECIFIED TOLERANCE ARE:		THESE DRAWINGS AND SPECIFICATIONS ARE THE PROPERTY OF ANOISON ELECTRONICS LTD AND SHOULD NOT BE USED WITHOUT WRITTEN PERMISSION COPYRIGHT © 2021 ANOISON ELECTRONICS LTD	
XX	±0.13 [.005"]		
X	±0.20 [.008"]		
X	±0.50 [.019"]		
X"	±1°		
X"	±2°		

TITLE
PRECISION ADAPTER, NMD2.92MM MALE TO 2.92MM BULKHEAD FEMALE, PANEL MOUNT

VIEW		PART NO. PA6429S
SIZE A3	SCALE 2.5:1	SHEET 1/1
REV. C		

4

3

2

1