

4 3 2 1

REVISIONS			
REV.	DESCRIPTION	DATE	APPROVED
A	INITIAL RELEASE	12/28/17	J. QU
B	CHANGED DRAWINGS	03/24/20	J. QU

MATERIAL & FINISH:

1. BODY: STAINLESS STEEL, PASSIVATED
2. CENTER CONTACT: BERYLLIUM COPPER ALLOY, GOLD PLATED
3. INSULATOR: PEI

ENVIRONMENTAL DATA:

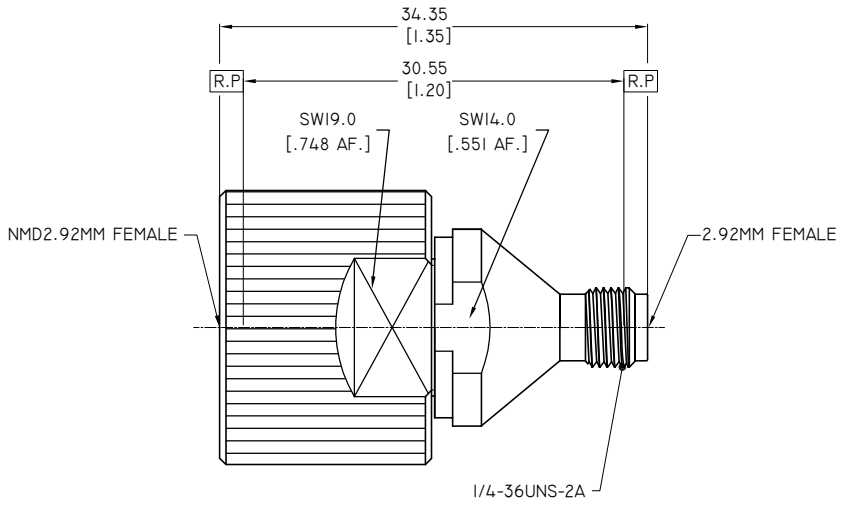
1. STORAGE TEMPERATURE: -55 °C ~ +125 °C
2. OPERATING TEMPERATURE: 0 °C ~ +85 °C
3. 2011/65/EU (RoHS): COMPLIANT

ELECTRICAL DATA:


1. IMPEDANCE: 50 Ω
2. FREQUENCY RANGE: DC~40 GHz
3. VSWR: 1.20 TYP.
4. INSERTION LOSS: 0.36 DB MAX.

MECHANICAL DATA:

1. MECHANICAL DURABILITY: 2000 CYCLES MIN.
2. RECOMMENDED TORQUE:
 - NMD2.92MM FEMALE: 1.35~2 NM
 - 2.92MM FEMALE: 0.9 NM

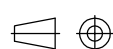


DRAWN	P. CHEN	DATE	03/24/20
CHECKED	X. B. YANG	DATE	03/24/20
APPROVED	J. QU	DATE	03/24/20
UNLESS OTHERWISE SPECIFIED DIMENSIONS ARE IN MILLIMETERS, DIMENSIONS IN [] ARE IN INCHES FOR CUSTOMER REFERENCE ONLY UNLESS OTHERWISE SPECIFIED		TOLERANCE ARE:	
.XX	±0.13 [.005"]	THESE DRAWINGS AND SPECIFICATIONS ARE THE PROPERTY OF ANOISON ELECTRONICS LTD AND SHOULD NOT BE USED WITHOUT WRITTEN PERMISSION COPYRIGHT © 2020 ANOISON ELECTRONICS LTD	
.X	±0.20 [.008"]		
X	±0.50 [.019"]		
X°	±1°		
X°	±2°		



ANOISON
...we create connection for technologies

TITLE: PRECISION ADAPTER, NMD2.92MM FEMALE TO 2.92MM FEMALE

VIEW: 

PART NO. PA6429C

SIZE	SCALE	SHEET	REV.
A3	2.5:1	I/I	B

4 3 2 1