

4

3

2

1

MATERIAL & FINISH:

- 1 BODY: STAINLESS STEEL, PASSIVATED
- 2 CENTER CONTACT: BERYLLIUM COPPER ALLOY, GOLD PLATED
- 3 INSULATOR: PEI
- 4 COUPLING NUT: STAINLESS STEEL, PASSIVATED

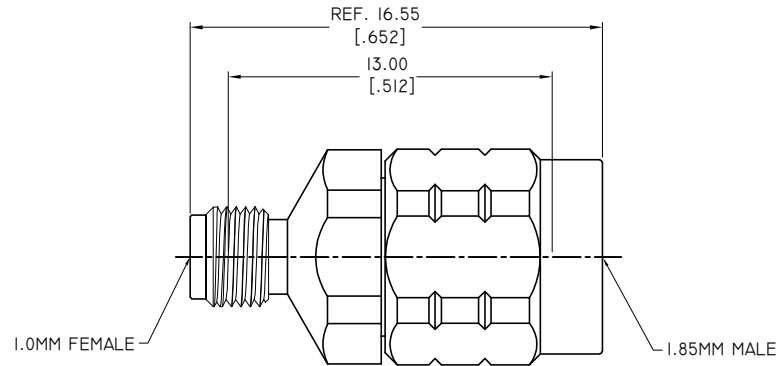
ELECTRICAL SPECIFICATIONS:

- 1 IMPEDANCE: 50 Ω
- 2 FREQUENCY RANGE: DC~67GHZ
- 3 VSWR: 1.30 MAX.
- 4 INSERTION LOSS: 0.5 DB MAX.

REVISIONS			
REV.	DESCRIPTION	DATE	APPROVED
A	INITIAL RELEASE	03/20/19	J. QU
B	ADDED INSERTION LOSS	09/18/21	J. QU

ENVIRONMENTAL DATA:

- 1 TEMPERATURE RANGE: -55°C~+125°C
- 2 2011/65/EU (RoHS): COMPLIANT AND 2015/863/(RoHS): COMPLIANT
1999/45/EC(REACH): COMPLIANT



DRAWN	W. YANG	DATE	09/18/21
CHECKED	X. B. YANG	DATE	09/18/21
APPROVED	J. QU	DATE	09/18/21
UNLESS OTHERWISE SPECIFIED DIMENSIONS ARE IN MILLIMETERS, DIMENSIONS IN [] ARE IN INCHES FOR CUSTOMER REFERENCE ONLY UNLESS OTHERWISE SPECIFIED TOLERANCE ARE:		THESE DRAWINGS AND SPECIFICATIONS ARE THE PROPERTY OF ANOISON ELECTRONICS LTD AND SHOULD NOT BE USED WITHOUT WRITTEN PERMISSION COPYRIGHT © 2021 ANOISON ELECTRONICS LTD	
.XX	±0.13 [.005"]		
.X	±0.20 [.008"]		
X	±0.50 [.019"]		
X°	±1°		
X"	±2°		

TITLE
PRECISION ADAPTER, 1.0MM FEMALE TO 1.85MM MALE

PART NO.
PA6276D

VIEW		SIZE A3	SCALE 5:1	SHEET 1/1	REV. B
-------------	--	-------------------	---------------------	---------------------	------------------

D

C

B

A

D

C

B

A

4

3

2

1