

4

3

2

1

MATERIAL & FINISH:

- 1 BODY: STAINLESS STEEL, PASSIVATED
- 2 CENTER CONTACT: BERYLLIUM COPPER ALLOY, GOLD PLATED
- 3 INSULATOR: PEI
- 4 COUPLING NUT: STAINLESS STEEL, PASSIVATED

ELECTRICAL DATA:

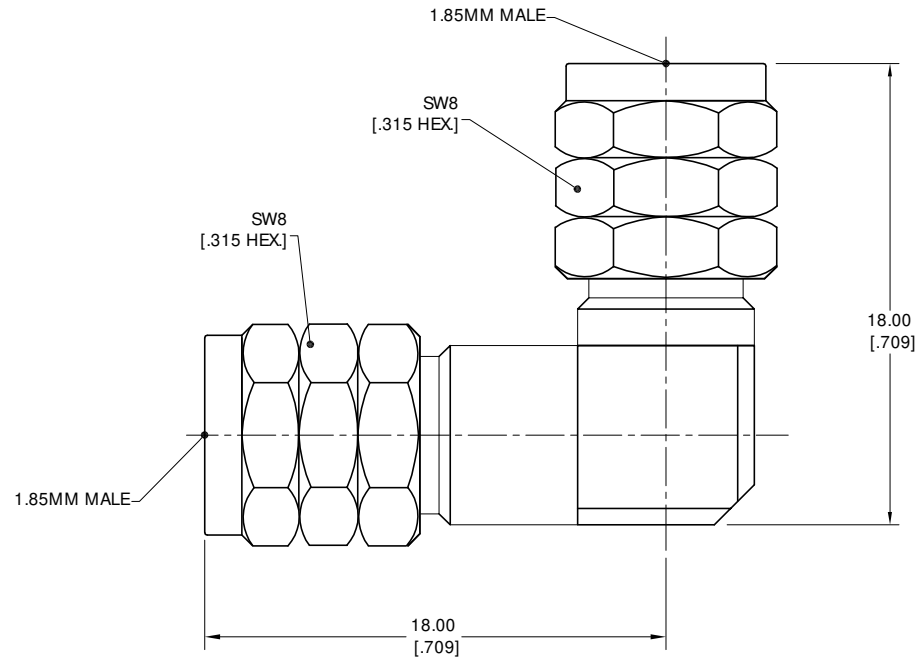
- 1 IMPEDANCE: 50 Ω
- 2 FREQUENCY RANGE: DC~67 GHz
- 3 VSWR: 1.25 MAX.

ENVIRONMENTAL DATA:

- 1 TEMPERATURE RANGE: -55°C~+125°C
- 2 2011/65/EU (RoHS) AND 2015/863/(RoHS): COMPLIANT
- 3 1999/45/EC (REACH): COMPLIANT

REVISIONS

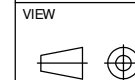
REV.	DESCRIPTION	DATE	APPROVED
A	INITIAL RELEASE	12/02/19	J QU
B	DRAWING CHANGED	01/16/20	J QU
C	CHANGED ELECTRICAL DATA	06/15/20	J QU



DRAWN	W. YANG	DATE	06/15/20
CHECKED	X. B. YANG	DATE	06/15/20
APPROVED	J QU	DATE	06/15/20
UNLESS OTHERWISE SPECIFIED DIMENSIONS ARE IN MILLIMETERS. DIMENSIONS IN [] ARE IN INCHES FOR CUSTOMER REFERENCE ONLY UNLESS OTHERWISE SPECIFIED TOLERANCE ARE:		THESE DRAWINGS AND SPECIFICATIONS ARE THE PROPERTY OF ANOISON ELECTRONICS LTD AND SHOULD NOT BE USED WITHOUT WRITTEN PERMISSION COPYRIGHT © 2020 ANOISON ELECTRONICS LTD	
.XX	±0.13 [0.005"]		
.X	±0.20 [0.008"]		
X	±0.50 [0.019"]		
.X°	±1°		
X°	±2°		



TITLE
PRECISION ADAPTER, RIGHT ANGLE 1.85MM MALE TO 1.85MM MALE



PART NO. PA6262J			
SIZE A3	SCALE 2.5:1	SHEET 1/1	REV. C

4

3

2

1