

MATERIAL & FINISH:

- 1 BODY : STAINLESS STEEL, PASSIVATED
- 2 CENTER CONTACT: BERYLLIUM COPPER ALLOY, GOLD PLATED
- 3 INSULATOR: PEI
- 4 CLAMP NUT: STAINLESS STEEL, PASSIVATED
- 5 LOCK WASHER: STAINLESS STEEL, PASSIVATED

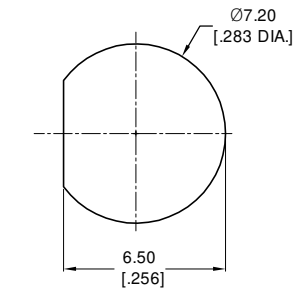
ELECTRICAL DATA:

- 1 IMPEDANCE: 50 Ω
- 2 FREQUENCY RANGE: DC~67 GHz
- 3 VSWR: 1.25 MAX.
- 4 INSERTION LOSS: ≤0.05*√F(GHZ) DB

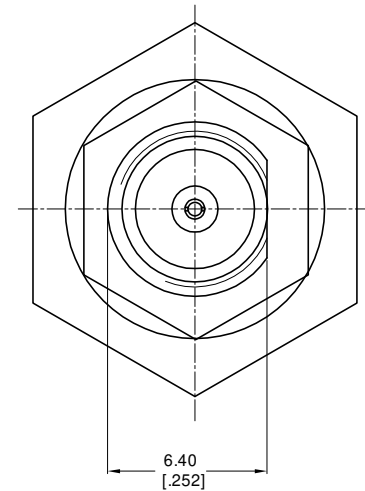
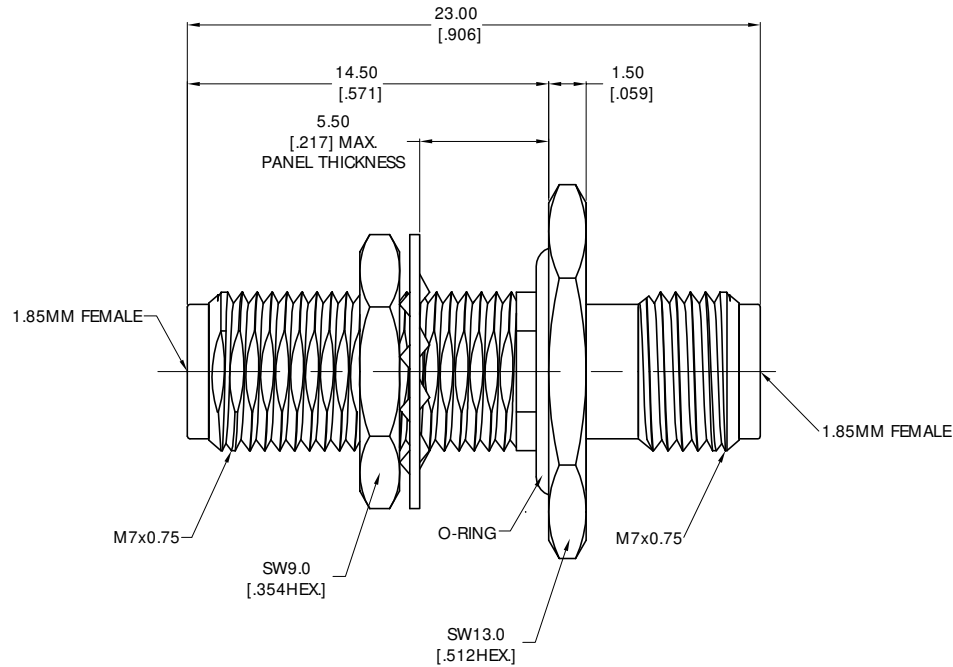
ENVIRONMENTAL DATA:

- 1 TEMPERATURE RANGE: -55 °C~+125 °C
- 2 2011/65/EU(RoHS) AND 2015/863/(RoHS): COMPLIANT
- 3 1999/45/EC(REACH): COMPLIANT

REVISIONS			
REV.	DESCRIPTION	DATE	APPROVED
A	INITIAL RELEASE	01/27/21	J QU



RECOMMENDED MOUNTING HOLE



DRAWN	P. CHEN	DATE	01/27/21
CHECKED	X. B. YANG	DATE	01/27/21
APPROVED	J QU	DATE	01/27/21
UNLESS OTHERWISE SPECIFIED DIMENSIONS ARE IN MILLIMETERS, DIMENSIONS IN [] ARE IN INCHES FOR CUSTOMER REFERENCE ONLY UNLESS OTHERWISE SPECIFIED TOLERANCE ARE:		THESE DRAWINGS AND SPECIFICATIONS ARE THE PROPERTY OF ANOISON ELECTRONICS LTD AND SHOULD NOT BE USED WITHOUT WRITTEN PERMISSION COPYRIGHT © 2021 ANOISON ELECTRONICS LTD	
	XX	±0.13 [0.005"]	
	X	±0.20 [0.008"]	
	X	±0.50 [0.019"]	
	X'	±1°	
	X''	±2°	

ANOISON
...we create connection for technologies

TITLE
**PRECISION ADAPTER
1.85MM BULKHEAD FEMALE TO 1.85MM FEMALE**

VIEW	PART NO. PA6262EA
SIZE A3	SCALE 5:1
SHEET 1/1	REV. A