

MATERIAL & FINISH:

1. BODY: STAINLESS STEEL, PASSIVATED
2. COUPLING NUT: STAINLESS STEEL, PASSIVATED
3. CENTER CONTACT: BERYLLIUM COPPER ALLOY, GOLD PLATED
4. INSULATOR: PEI

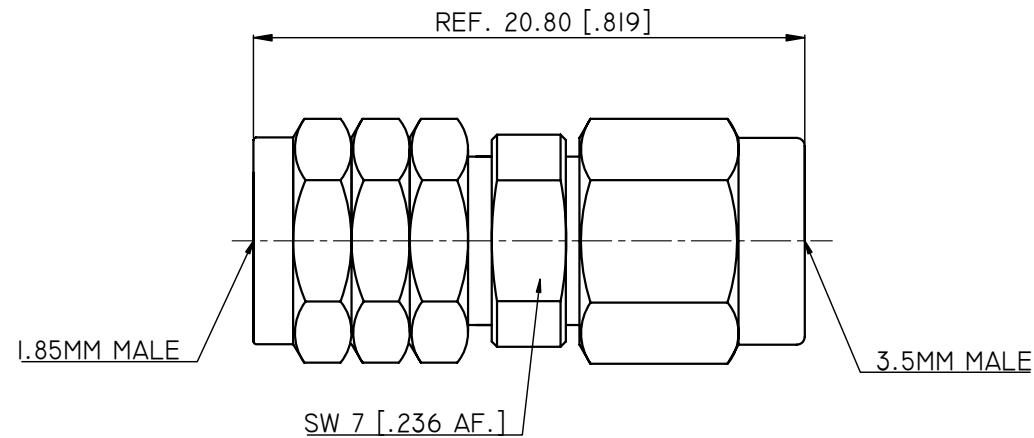
ENVIRONMENTAL DATA:

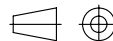

1. TEMPERATURE RANGE: -55°C~+125°C
2. 2011/65/EU (RoHS): COMPLIANT

ELECTRICAL DATA:

1. IMPEDANCE: 50 Ω
2. FREQUENCY RANGE: DC~33 GHZ
3. VSWR: 1.15MAX.

REVISIONS			
REV.	DESCRIPTION	DATE	APPROVED
A	INITIAL RELEASE	06/03/15	J. QU



DRAWN	X. B. YANG	DATE	06/03/15		
CHECKED	L. YANG	DATE	06/03/15		
APPROVED	J. QU	DATE	06/03/15		
UNLESS OTHERWISE SPECIFIED DIMENSIONS ARE IN MILLIMETERS, DIMENSIONS IN [] ARE IN INCHES FOR CUSTOMER REFERENCE ONLY UNLESS OTHERWISE SPECIFIED TOLERANCE ARE:		THESE DRAWINGS AND SPECIFICATIONS ARE THE PROPERTY OF ANOISON ELECTRONICS LTD AND SHOULD NOT BE USED WITHOUT WRITTEN PERMISSION COPYRIGHT © 2015 ANOISON ELECTRONICS LTD			
.XX	±0.13 [.005"]				
.X	±0.20 [.008"]				
X	±0.50 [.019"]				
.X°	±1°				
X°	±2°				
		TITLE			
		PRECISION ADAPTER 1.85MM MALE TO 3.5MM MALE			
VIEW		PART NO.			
		PA6225A			
SIZE	SCALE	SHEET	REV.		
A3	5:1	1/1	A		