

4

3

2

1

MATERIAL & FINISH:

- 1 BODY : STAINLESS STEEL, GOLD PLATED
- 2 CENTER CONTACT: BERYLLIUM COPPER ALLOY, GOLD PLATED
- 3 INSULATOR: PEI & PTFE
- 4 COUPLING NUT: STAINLESS STEEL, GOLD PLATED

ELECTRICAL DATA:

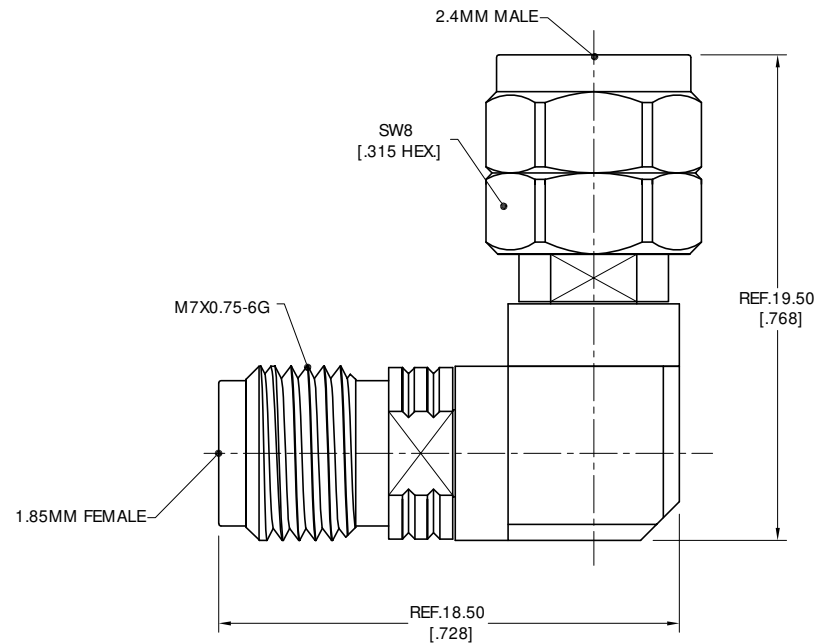
- 1 IMPEDANCE: 50 Ω
- 2 FREQUENCY RANGE: DC~50 GHz
- 3 VSWR: 1.25 MAX.
- 4 INSERTION LOSS: $\leq 0.08^* \sqrt{F}(\text{GHZ}) \text{ DB}$

ENVIRONMENTAL DATA:

- 1 TEMPERATURE RANGE: -55 °C~+125 °C
- 2 2011/65/EU(RoHS) AND 2015/863/(RoHS): COMPLIANT
- 3 1999/45/EC(REACH): COMPLIANT

REVISIONS

REV.	DESCRIPTION	DATE	APPROVED
A	INITIAL RELEASE	06/18/21	J QU



DRAWN	P. CHEN	DATE	06/18/21
CHECKED	X. B. YANG	DATE	06/18/21
APPROVED	J QU	DATE	06/18/21
UNLESS OTHERWISE SPECIFIED DIMENSIONS ARE IN MILLIMETERS, DIMENSIONS IN [] ARE IN INCHES FOR CUSTOMER REFERENCE ONLY UNLESS OTHERWISE SPECIFIED TOLERANCE ARE:		THESE DRAWINGS AND SPECIFICATIONS ARE THE PROPERTY OF ANOISON ELECTRONICS LTD AND SHOULD NOT BE USED WITHOUT WRITTEN PERMISSION COPYRIGHT © 2021 ANOISON ELECTRONICS LTD	
	XX	±0.13	[.005"]
	.X	±0.20	[.008"]
	X	±0.50	[.019"]
	.X°	±1°	
	X°	±2°	



TITLE
PRECISION ADAPTER
RIGHT ANGLE 1.85MM FEMALE TO 2.4MM MALE

VIEW	PART NO. PA6222M	SIZE A3	SCALE 5:1	SHEET 1/1	REV. A
------	---------------------	------------	--------------	--------------	-----------

4

3

2

1