

4

3

2

1

MATERIAL & FINISH:

- 1 BODY: STAINLESS STEEL, PASSIVATED
- 2 CENTER CONTACT: BERYLLIUM COPPER ALLOY, GOLD PLATED
- 3 INSULATOR: PEI

ELECTRICAL DATA:

- 1 IMPEDANCE: 50 Ω
- 2 FREQUENCY RANGE: DC-50 GHZ
- 3 VSWR: 1.25 MAX.

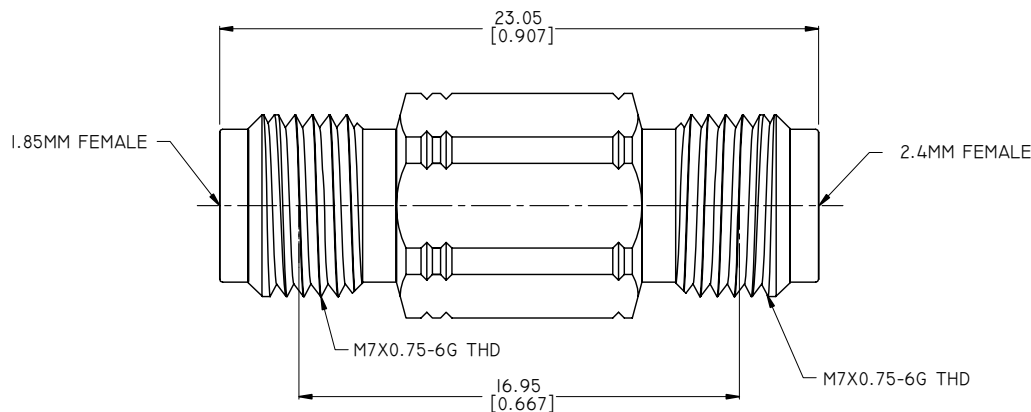
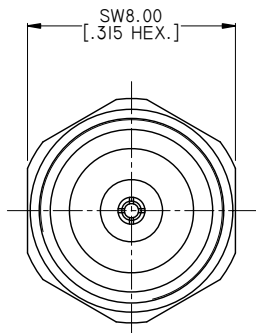
ENVIRONMENTAL DATA:

- 1 TEMPERATURE RANGE: -55°C~+165°C
- 2 2011/65/EU (RoHS): COMPLIANT

APPLICABLE STANDARDS:

- 1 INTERFACE ACCORDING TO: MIL-STD-348

REVISIONS			
REV.	DESCRIPTION	DATE	APPROVED
A	INITIAL RELEASE	06/03/15	J. QU
B	CHANGED AF.	10/14/16	J. QU
C	23.05 WAS REF. 23.00	04/25/18	J. QU



DRAWN	P. CHEN	DATE	04/25/18
CHECKED	L. YANG	DATE	04/25/18
APPROVED	J. QU	DATE	04/25/18
UNLESS OTHERWISE SPECIFIED DIMENSIONS ARE IN MILLIMETERS, DIMENSIONS IN [ ] ARE IN INCHES FOR CUSTOMER REFERENCE ONLY UNLESS OTHERWISE SPECIFIED TOLERANCE ARE:		THESE DRAWINGS AND SPECIFICATIONS ARE THE PROPERTY OF ANOISON ELECTRONICS LTD AND SHOULD NOT BE USED WITHOUT WRITTEN PERMISSION COPYRIGHT © 2018 ANOISON ELECTRONICS LTD	
.XX	±0.13 [.005"]		
.X	±0.20 [.008"]		
X	±0.50 [.019"]		
.X°	±1°		
X°	±2°		



TITLE			
PRECISION ADAPTER 1.85MM FEMALE TO 2.4MM FEMALE			
VIEW		PART NO. PA6222C	
SIZE A3	SCALE 5:1	SHEET 1/1	REV. C

4

3

2

1